

V5329A

3-WAY FLANGED LINEAR VALVE PN16

- Cast iron body with flanged end connections
- Metal to metal seating for long life span
- Self adjusting packing
- Accurate positioning to ensure state of the art temperature control
- Direct coupled electric and pneumatic actuators for easy mounting
- Constant total flow throughout full plug travel



Technical Specification

Action	Stem up to close port A-AB
Valve type	3-way mixing
Nominal pressure rating	PN16
Flow characteristic	Equal percentage port A-AB, linear port B-AB
Rangeability	50:1
Stroke	20 mm
Approximate	0.05 percent Cv.
Leakage rate	≤0.5 % of kVS port A-AB ≤1 % of kVS port B-AB
Valve body End connections	Flanged per ISO 7005-2
Material	Cast iron (GG25)
Dimensions	See Fig. 1
Trim Seat	Stainless steel, skirt guided
Stem	Stainless steel
Packing rings	Spring loaded PTFE cone
Maximum temperature differential in alternating hot/cold water use	60 K
Medium temperature and max. pressure PN16	2 ... 120 ; 1600 kPa 120 ... 150 ; 1440 kPa 150 ... 170 ; 1370 kPa

APPLICATION

These three port mixing valves are used for modulating control of hot or chilled water in heating, ventilation and air conditioning systems and can be operated by electric linear actuators as ML6420/6425, ML7420/7425, M6421/7421.

Sizes and flow capacities

Order Number	Valve Size	kVS
V5329A2077	DN65	63.0
V5329A2085	DN80	100.0

Installation

- Water should meet VDI 2035 requirements.
- Do not install valve with stem below the horizontal.
- Fluid flow must correspond with the arrow direction on the valve body.
- The installation of a strainer is strongly recommended.

Valve

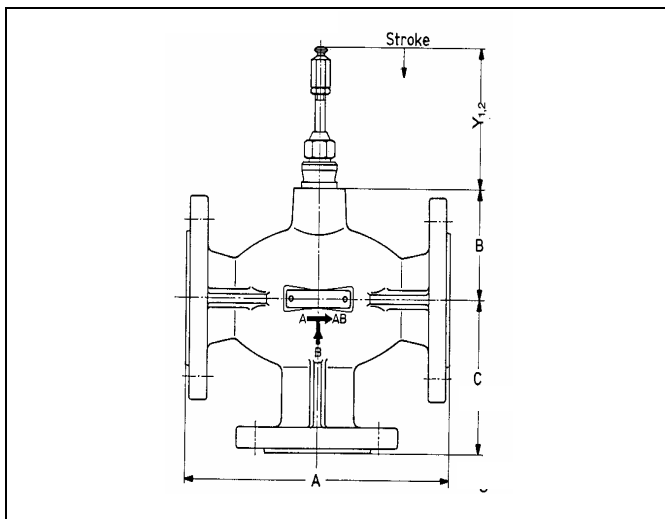


Fig. 1 V5329A

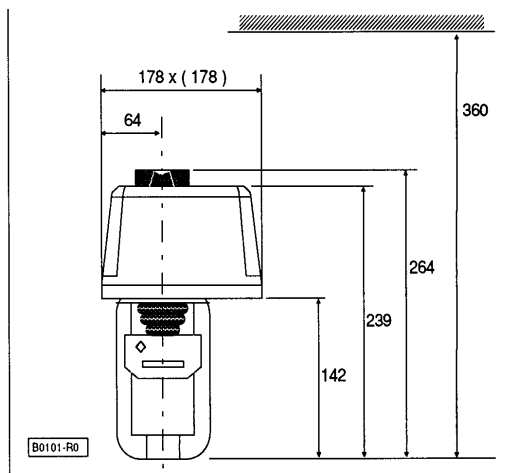


Fig. 3 ML6421A, ML7421A

CLOSE OFF PRESSURE RATINGS in kPa Electric actuators

Actuator	Valve Size		
	Force	DN65	DN80
ML6420A, ML6425A ,B ML7420A, ML7425A,B	600 N	160	100
ML6421A, ML7421A	1800 N	600	400

DIMENSIONS (mm)

Valve Size	A	B	C	D
DN65	290	105	145	107 port
DN80	310	112	155	A-AB closed

Electric actuators

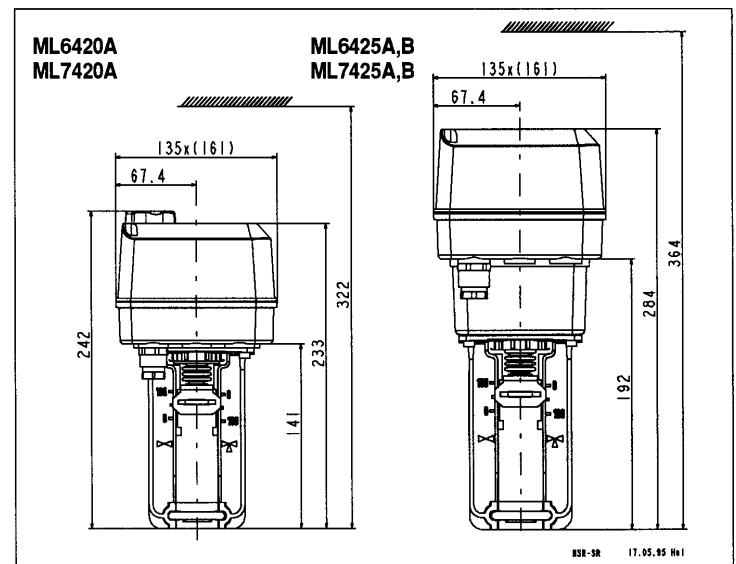


Fig. 2 ML6420A/6425A,B ML7420A/7425A,B

Repair packing kit

Part No.: 88609019



← CARBON+TEFLON



← O-RING(NBR)

For more information,

<https://honeywellbuildings.in>

Call: 1-800-103-0339

Email: HBT-Indiabuildings@honeywell.com

Honeywell HBT India Buildings

Unitech Trade Center, 5th Floor, Sector-43,
Block C, Sushant Lok Phase - I,
Gurgaon - 122 002

www.honeywell.com

© 2020 Honeywell International Inc.

VV5329A
3-WAY FLANGED
LINEAR VALVE PN16

Honeywell