

MICRO SWITCH

A DIVISION OF BOSTON-BASED HONEYWELL REGULATORY COMPANY
BOSTON, MASSACHUSETTS

FED. MFR. CODE 91929

SWITCH — ENCLOSED

CATALOG LISTING

51ML72

THIS DRAWING COVERS A PROPRIETARY ITEM AND IS THE PROPERTY OF MICRO SWITCH A DIVISION OF HONEYWELL THIS DRAWING IS NOT TO BE COPIED OR USED WITHOUT THE APPROVAL OF MICRO SWITCH

51ML72

M

DRAWING NUMBER

12

ISSUE

8

REPLACES

SR 4534

RELEASE NO

31 MAY 55

CHECK

31 MAY 55

CHECK

27 MAY 55

CHECK

10 MAR 59

CHECK

30 DEC 59

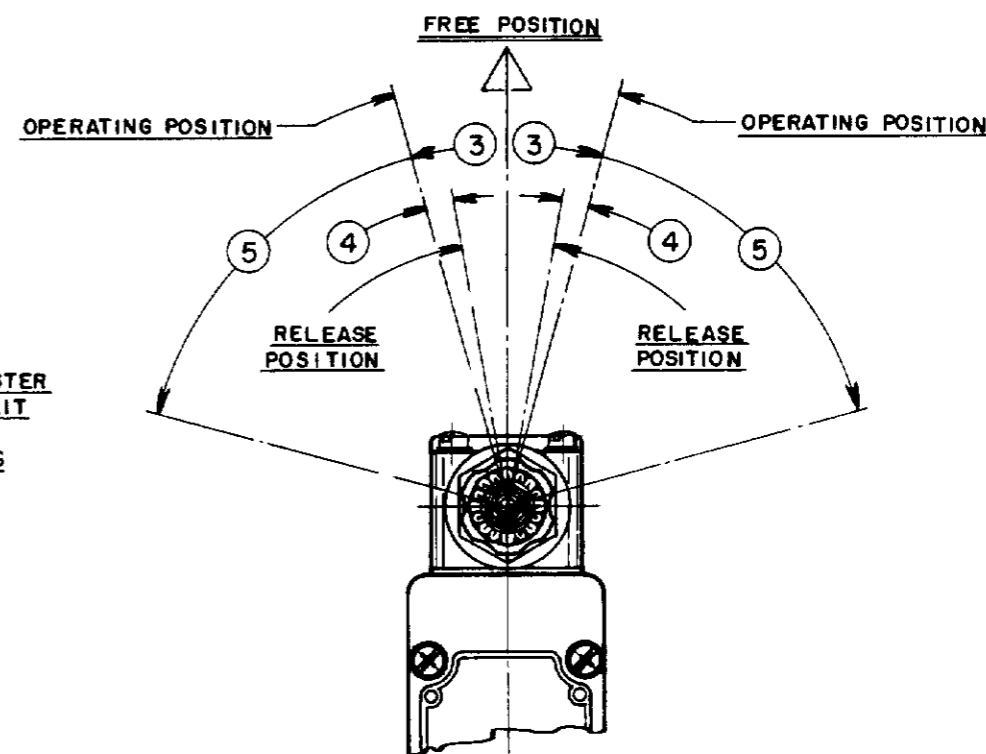
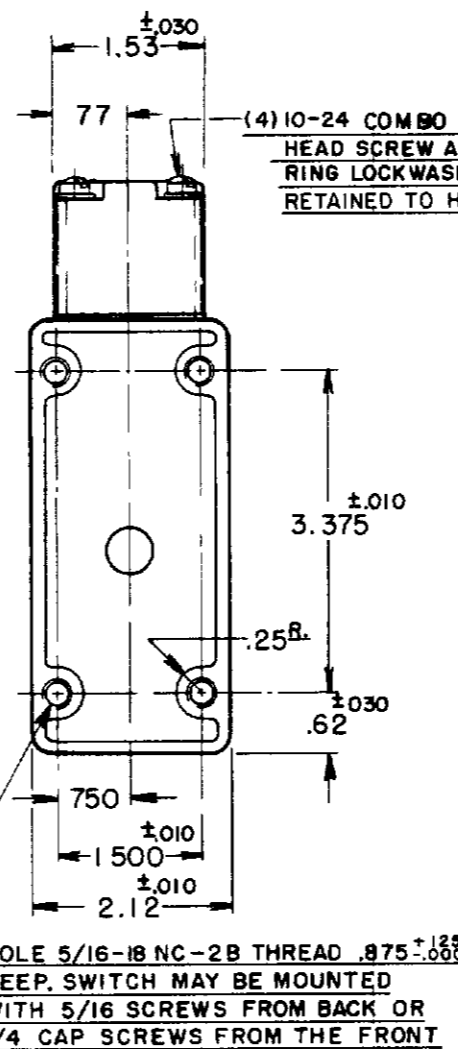
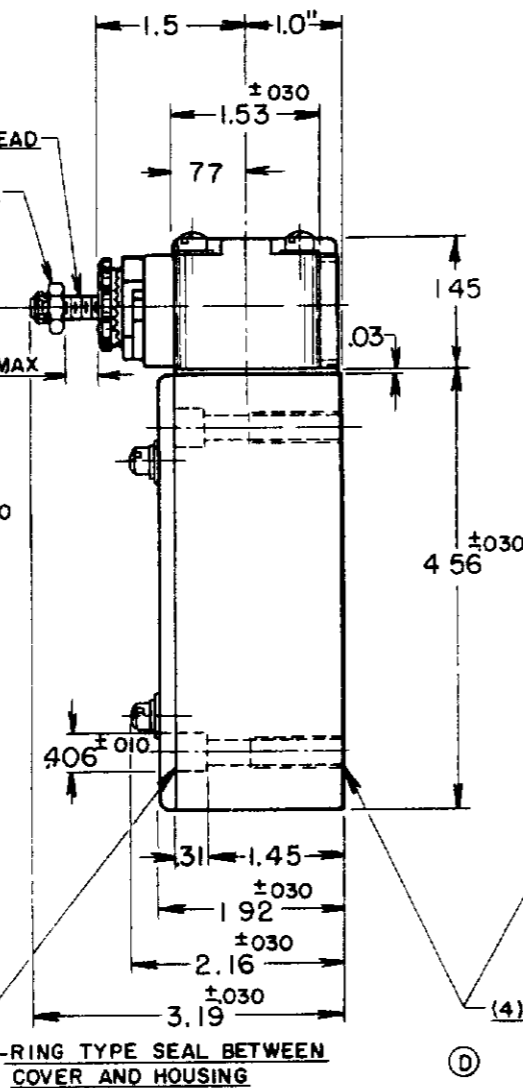
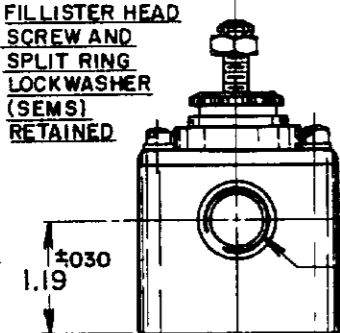
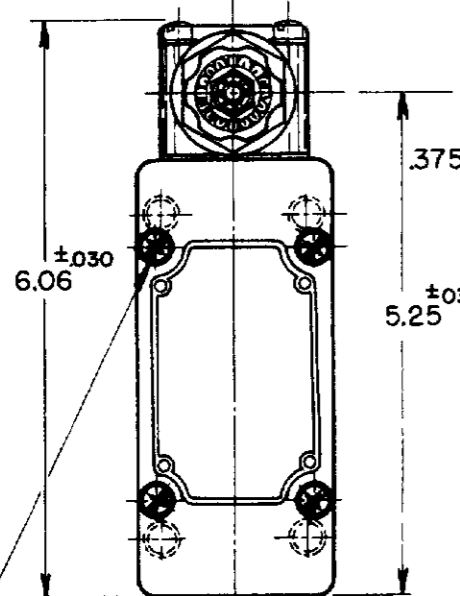
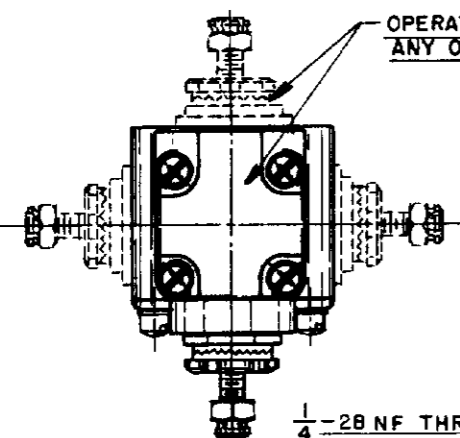
CHECK

17 DEC 84

CHECK

23 JAN 86

CHECK



NOTES

- 1 SWITCH IS ASSEMBLED FOR ACTUATION IN EITHER DIRECTION TO CONVERT SWITCH FOR ACTUATION EITHER CLOCKWISE OR COUNTER-CLOCKWISE DIRECTION ONLY, REMOVE THE HEAD AND SLIDE THE CAM TOWARD THE REAR OF THE HEAD SUFFICIENTLY TO DISENGAGE FROM THE FLATS ON THE SHAFT. ROTATE THE CAM 90° IN THE OPPOSITE DIRECTION OF THE ACTUATION DESIRED AND RE-ENGAGE THE CAM WITH THE FLATS ON THE SHAFT
- 2
- 3 - SHAFT MAY BE ADJUSTED TO ACTUATE THE SWITCH IN THE CLOCKWISE DIRECTION ONLY, THE COUNTER-CLOCKWISE DIRECTION ONLY OR IN BOTH DIRECTIONS
- 4 - IT IS ESSENTIAL TO PREVENT ENTRANCE OF HARMFUL AGENTS THRU THE CONDUIT OPENING TO OBTAIN FULL BENEFIT OF THE SEALED CONSTRUCTION PROVIDED IN THIS UNIT
- 5 BASIC SWITCHING ELEMENT LISTED BY UNDERWRITERS' LABORATORIES INC.

CHARACTERISTICS

OPERATING TORQUE - 5 11/32 LB. IN. MAX.
RELEASE TORQUE - 7/16 LB. IN. MIN.
PRETRAVEL - (A) (3) 20° MAX.
DIFFERENTIAL TRAVEL - (A) (4) 15° MAX.
OVERTRAVEL - (A) (5) 50° MIN.
FULL OVERTRAVEL TORQUE - 7 1/8 LB. IN. MAX.
SWITCH-BASIC REPLACEMENT (C)
DT-2R711-A7

ELECTRICAL DATA

CONTACT ARRANGEMENT D. P. D. T
BREAK DISTANCE .020 MIN

10 A-125 OR 250 VAC
0.3 A-125 VDC, 0.15 A-250 VDC

SCALE 1/2 TO 1

DO NOT SCALE PRINT

UNLESS OTHERWISE SPECIFIED DIMENSIONS ARE IN INCHES
TOLERANCES ARE:

ONE PLACE () ± .030
TWO PLACE (.) ± .015
THREE PLACE (.00) ± .008
ANGLES

WEIGHT

REV	NO	DATE	BY	CHK	DESCRIPTION
A	CO10054	25 NOV 55	AAS		AA'S
B	CORR	8 FEB 56	KFM		KFM
C	CO10647	18 JULY 56	O.M.W.		O.M.W.
D	CO11247	5 MAR 58	O.M.W.		O.M.W.
E	CO13487	10 MAR 59	M.B.F.		M.B.F.
F	CO14233	30 DEC 59	M.B.F.		M.B.F.
G	CO22643	21 MAR 67	D.W.C.		D.W.C.
H	CO2194-D	23 SEPT 83	TSK		TSK
J	CO5509-B		J.A.P.		J.A.P.
K	CO58909		TSK		TSK
L	CO74287		J.A.P.		J.A.P.

74-863

DRAWN

R. G. C

21, MAY 55

Mouser Electronics

Authorized Distributor

Click to View Pricing, Inventory, Delivery & Lifecycle Information:

[Honeywell:](#)

[51ML72](#)