

# VN8 SERIES ELECTRIC CONTROL VALVES FOR FAN COIL UNITS

## SCOPE OF APPLICATION

**VN8** series electric control valves can be used at home and in commercial buildings to control the flow of hot or cold liquid. Each set includes electric actuator and valve body.

The **VN8** series offer a wide range of options in voltages and thread standards according to the usage of different regions and provides two-way and three-way valve bodies to meet most of the requirements in buildings control.



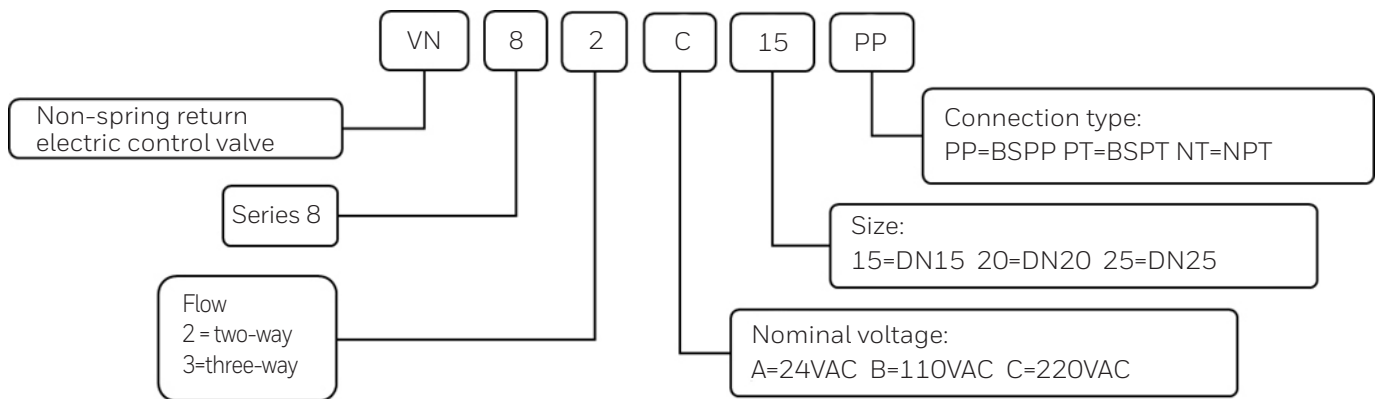
Valve Body	
Applicable medium	Cold, hot water or 50% glycol solution
Fluid temperature range:	0~94°C
Working temperature:	0~65°C
Working condition relative humidity	10%~90%RH
Nominal pressure:	PN20
Leak-rate:	0.05%Kvs
Materials	Valve body and ball – forging brass (HPb59-1) Valve rod – stainless steel (0Cr18Ni9) Valve seat – polytetrafluoroethylene (PTFE) O-sealing ring – Ethylene-Propylene-Diene Monomer (EPDM)

## Ordering Part Numbers

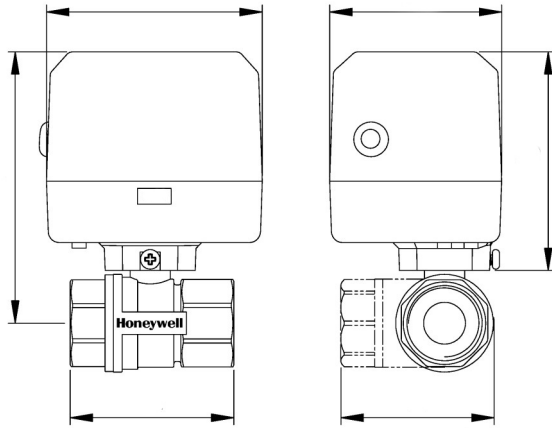
Part Number	Voltage	Flow	Size (diameter)	Connection Type	Nominal Flow Rating (Kvs)	CLOSE-OFF (PSI)	Differential Pressure(MPA)
VN82C15PP	220Vac±10%	2-way	DN15, 1/2"	BSPP	4.0±10%	87	0.6
VN82C15PT	220Vac±10%	2-way	DN15, 1/2"	BSPT	4.0±10%	87	0.6
VN82C15NT	220Vac±10%	2-way	DN15, 1/2"	NPT	4.0±10%	87	0.6
VN82C20PP	220Vac±10%	2-way	DN20, 3/4"	BSPP	7.0±10%	87	0.6
VN82C20PT	220Vac±10%	2-way	DN20, 3/4"	BSPT	7.0±10%	87	0.6
VN82C20NT	220Vac±10%	2-way	DN20, 3/4"	NPT	7.0±10%	87	0.6
VN82C25PP	220Vac±10%	2-way	DN25, 1"	BSPP	8.0±10%	87	0.6
VN82C25PT	220Vac±10%	2-way	DN25, 1"	BSPT	8.0±10%	87	0.6
VN82C25NT	220Vac±10%	2-way	DN25, 1"	NPT	8.0±10%	87	0.6
VN83C15PP	220Vac±10%	3-way	DN15, 1/2"	BSPP	4.2±10%	87	0.6
VN83C15PT	220Vac±10%	3-way	DN15, 1/2"	BSPT	4.2±10%	87	0.6
VN83C15NT	220Vac±10%	3-way	DN15, 1/2"	NPT	4.2±10%	87	0.6
VN83C20PP	220Vac±10%	3-way	DN20, 3/4"	BSPP	8.0±10%	87	0.6
VN83C20PT	220Vac±10%	3-way	DN20, 3/4"	BSPT	8.0±10%	87	0.6
VN83C20NT	220Vac±10%	3-way	DN20, 3/4"	NPT	8.0±10%	87	0.6
VN83C25PP	220Vac±10%	3-way	DN25, 1"	BSPP	14.0±10%	87	0.6
VN83C25PT	220Vac±10%	3-way	DN25, 1"	BSPT	14.0±10%	87	0.6
VN83C25NT	220Vac±10%	3-way	DN25, 1"	NPT	14.0±10%	87	0.6

Note: For other models, please consult our product department

## Product Identification System

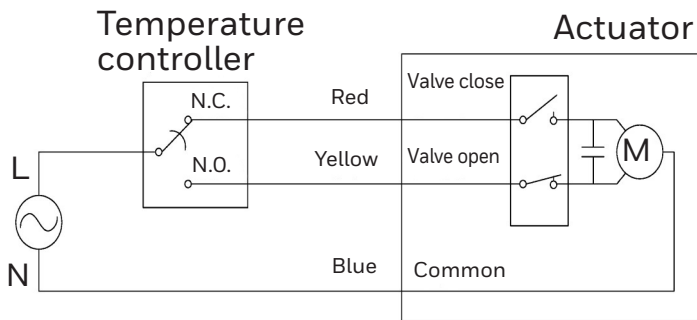


## DIMENSION (mm)



Part Number	DIMENSION (mm)		
	A	B	C
VN82X15XX	51.5	100	—
VN83X15XX	56	100	42
VN82X20XX	60	100	—
VN83X20XX	67	100	53
VN82X25XX	66	105	—
VN83X25XX	83	105	62

## WIRING DIAGRAM



For more information,  
<https://honeywellbuildings.in>  
 Call: 1-800-103-0339  
 Email: HBT-Indiabuildings@honeywell.com

**Honeywell HBT India Buildings**  
 Unitech Trade Center, 5th Floor, Sector-43,  
 Block C, Sushant Lok Phase - I,  
 Gurgaon - 122 002

[www.honeywell.com](http://www.honeywell.com)

© 2020 Honeywell International Inc.

**VN8 SERIES ELECTRIC  
 CONTROL VALVES  
 FOR FAN COIL UNITS**

**Honeywell**