

**MICRO SWITCH**

A DIVISION OF MINNEAPOLIS-HONEYWELL REGULATOR COMPANY  
 PRISBORO, MASSACHUSETTS

FED. MFR. CODE 91929

**ACTUATOR-SWITCH**

(M) SKETCH 29120  
 ISSUE 1

JM-5

M

DRAWING NUMBER

7

ISSUE

REPLACES

RELEASE NO. SR 9307

28 SEP 60

CHECK

28 SEP 60

CHECK

17 OCT 63

CHECK

25 NOV 92

CHECK

6 MAR 95

CHECK

7 NOV 60

CHECK

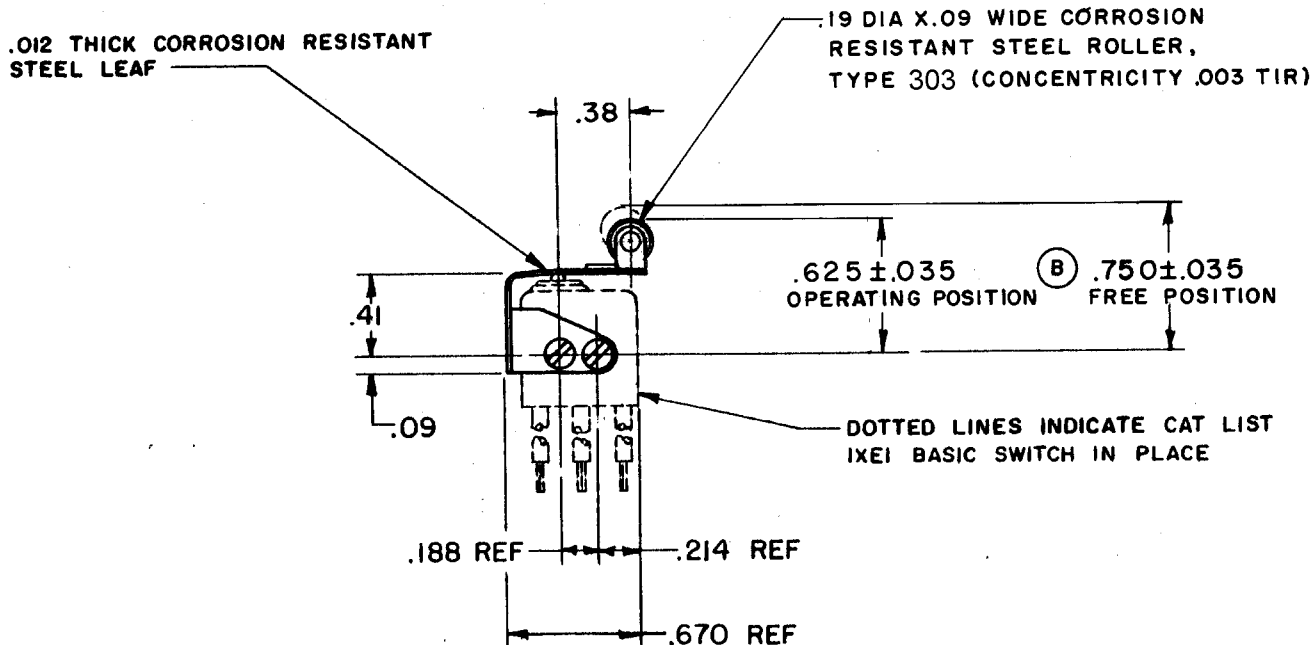
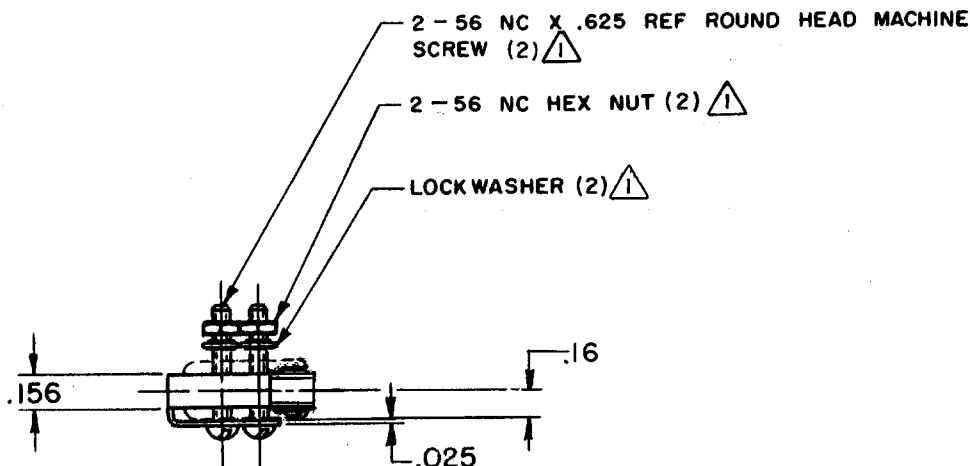
27 SEP 60

DRAWN

MBF

REVISIONS

A	0017844	OHW	26 FEB 63
B	0018559	VDF	17 OCT 63
C	0047771	CJH	17 MAY 80
D	0074078	DLT	6 MAR 95
E	0079303	SPK	14 SEP 05
F	0015428		



NOTE -  
 (I) - FURNISHED UNASSEMBLED

CHECK	RJ	14SEP05
-------	----	---------

THIS DRAWING COVERS A PROPRIETARY ITEM AND IS THE PROPERTY OF MICRO SWITCH, A DIVISION OF MINNEAPOLIS-HONEYWELL REGULATOR CO. THIS DRAWING IS NOT TO BE COPIED OR USED WITHOUT THE APPROVAL OF MICRO SWITCH.

CHARACTERISTICS WITH IXE1 BASIC SWITCH INSTALLED	ELECTRICAL DATA		SCALE FULL
OPERATING FORCE ----- 21 OZ MAX	CONTACT ARRANGEMENT	BREAK DISTANCE	DO NOT SCALE PRINT
RELEASE FORCE ----- (A) 3 OZ MIN			UNLESS OTHERWISE SPECIFIED
DIFFERENTIAL TRAVEL ----- .012 MAX			DIMENSIONS ARE IN INCHES
OVERTRAVEL ----- .009 MIN			<b>TOLERANCES ARE:</b>
			ONE PLACE (.0) ±.030
			TWO PLACE (.00) ±.015
			THREE PLACE (.000) ±.008
			ANGLES ±
			WEIGHT

# Mouser Electronics

Authorized Distributor

Click to View Pricing, Inventory, Delivery & Lifecycle Information:

[Honeywell:](#)

[JM-5](#)