

Interactive Catalog Supplements Catalog PDFs

If you need detailed product information, or help choosing the right product for your application, see our [Interactive Catalog](#). Use the [Interactive Catalog](#) to access the most complete and up-to-date information available.

The [Interactive Catalog](#) provides an extensive collection of product specifications, application data, and technical literature that can be searched based on criteria you select.

This PDF catalog information was published in November 2000.



Sensing and Control
[Interactive
Catalog...](#)

**Click this icon to try
the Interactive Catalog.**

Sensing and Control

Honeywell Inc.

11 West Spring Street

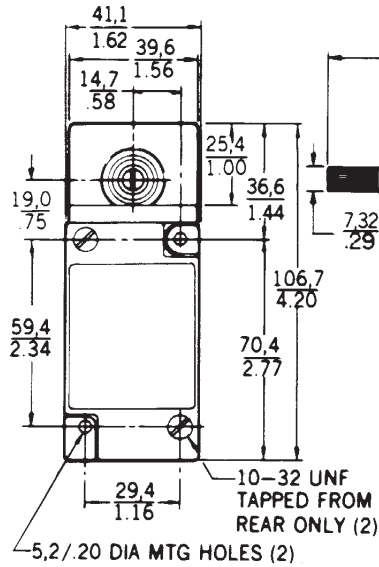
Freeport, IL 61032

Limit and Enclosed Switches

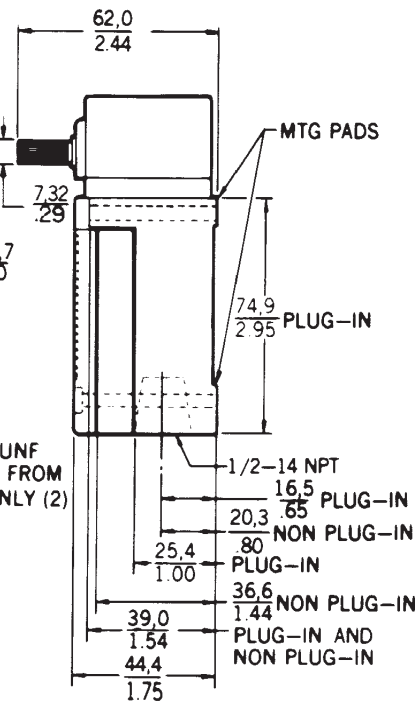
Mounting Dimensions (For reference only)

HDLS Series

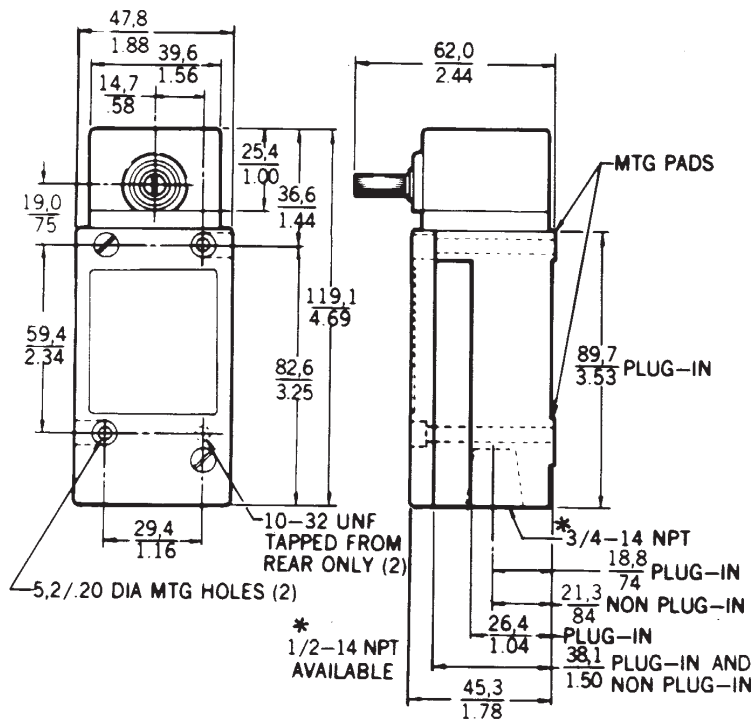
SIDE ROTARY



Single-pole



Double-pole



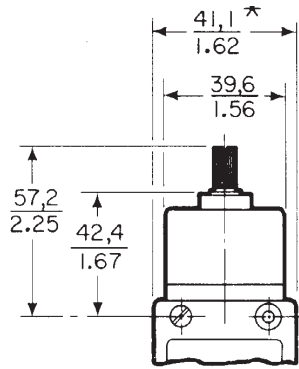
Limit/Enclosed

Limit and Enclosed Switches

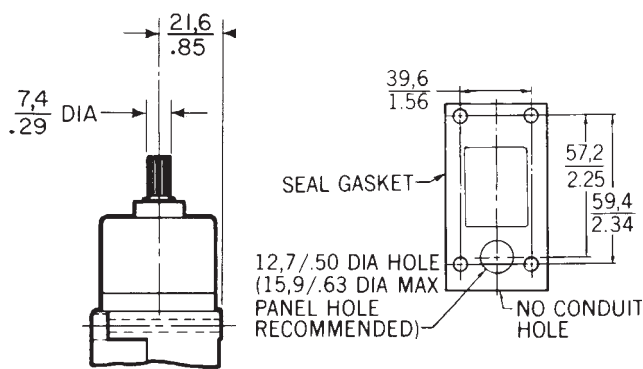
Mounting Dimensions (For reference only)

HDLS Series

TOP ROTARY Single-pole



MANIFOLD MOUNT (Plug-in only) Single-pole and double-pole



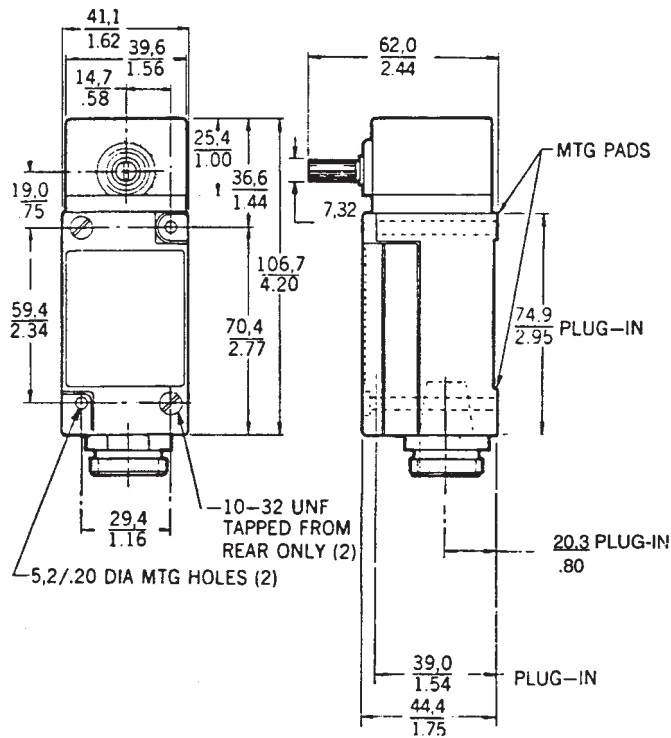
✱ 47,5
1.87

Single-Pole

Double-Pole Dimension

NEMA 6P PRE-WIRED SIDE ROTARY

Single-pole

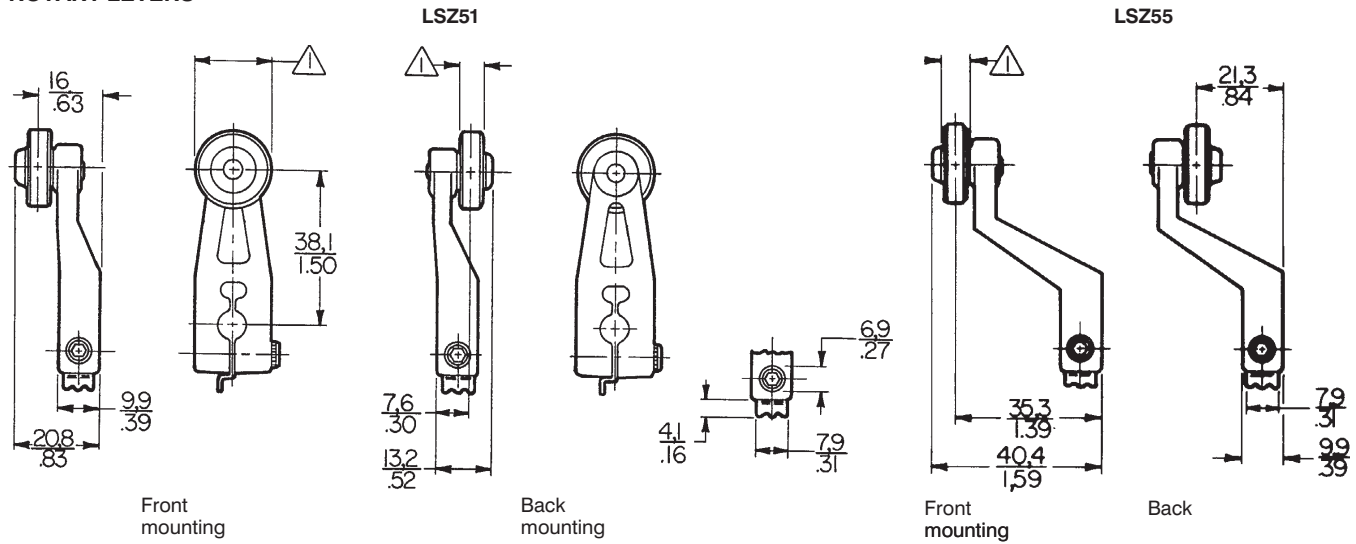


Limit and Enclosed Switches

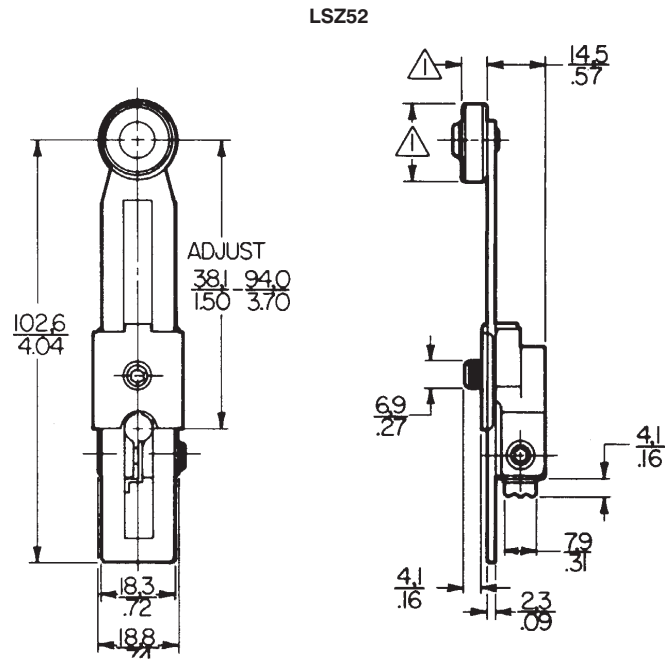
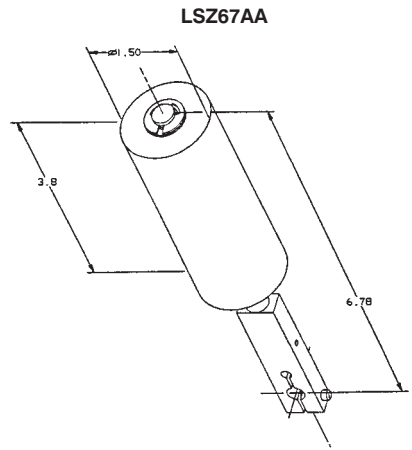
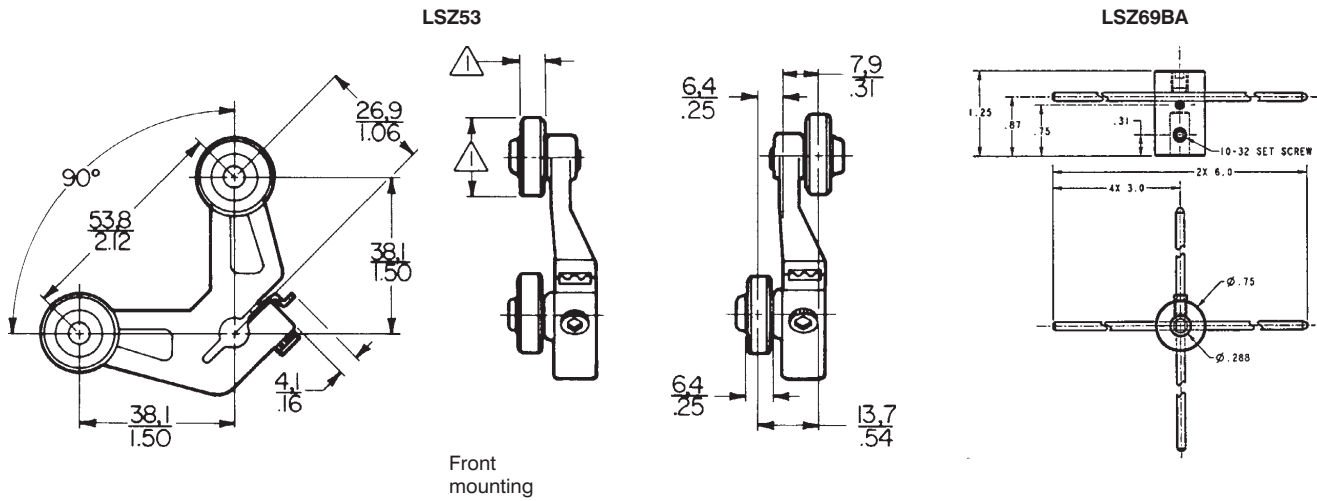
HDLS Series

Mounting Dimensions (For reference only)

ROTARY LEVERS



Limit/Enclosed



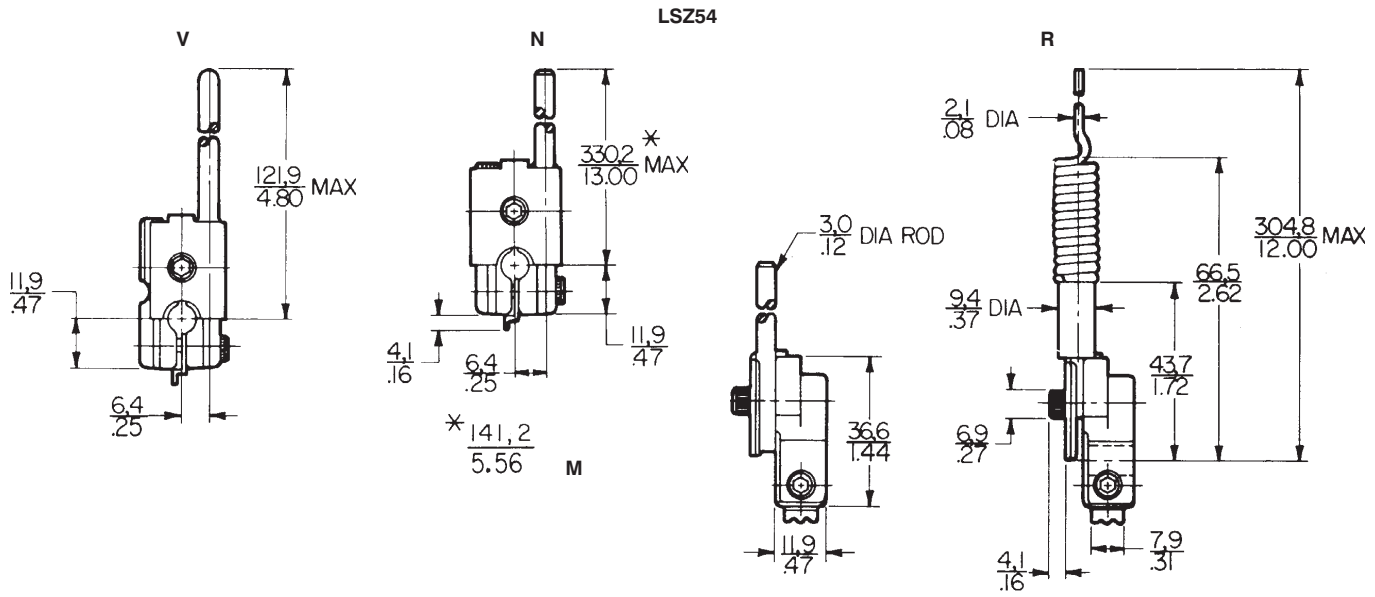
⚠ See order guides for roller dimensions.

Limit and Enclosed Switches

HDLS Series

Mounting Dimensions (For reference only)

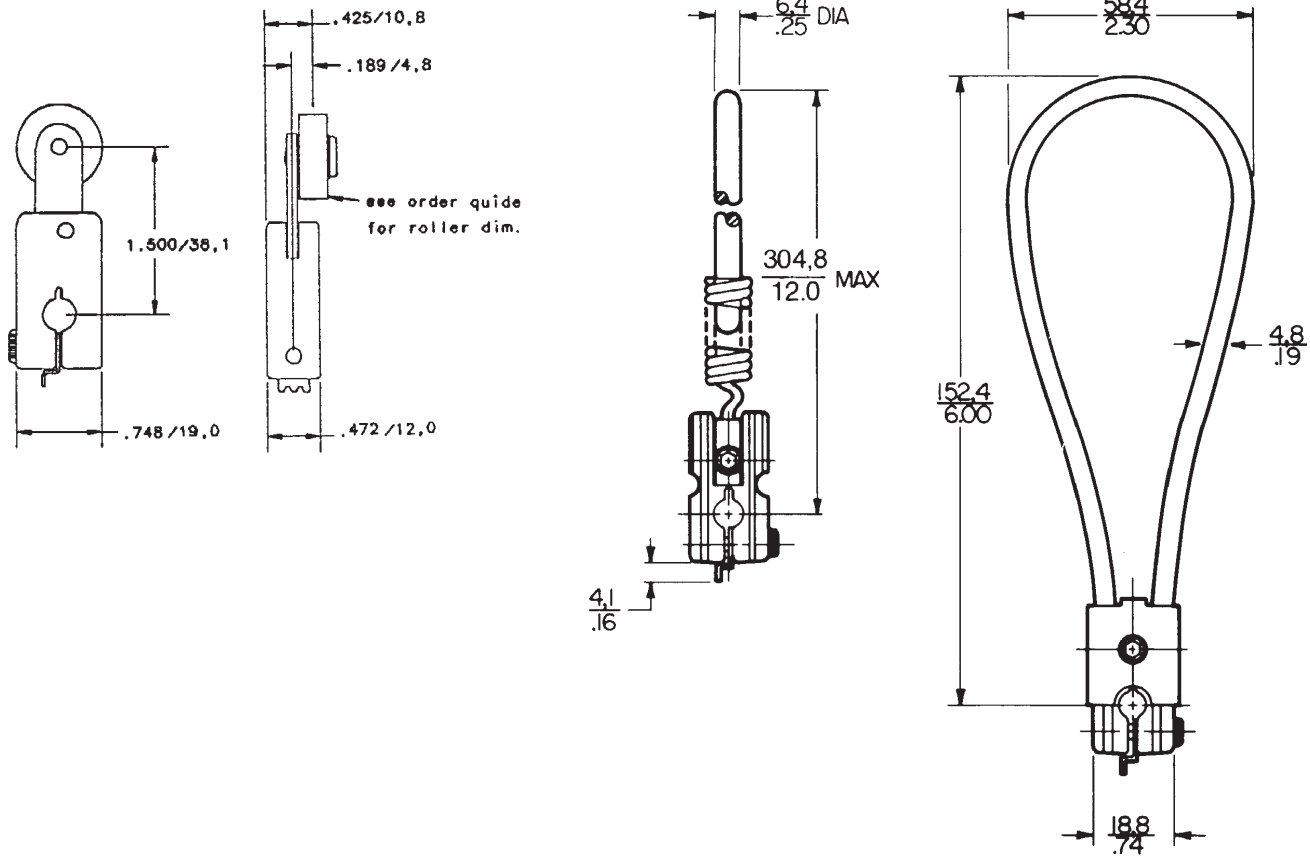
ROTARY LEVERS



LSZ60

LSZ68

LSZ61



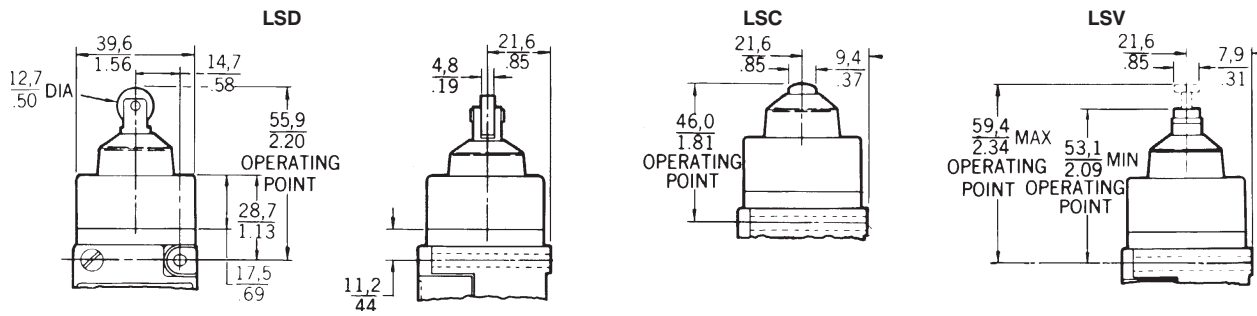
Limit and Enclosed Switches

HDLS Series

Mounting Dimensions (For reference only)

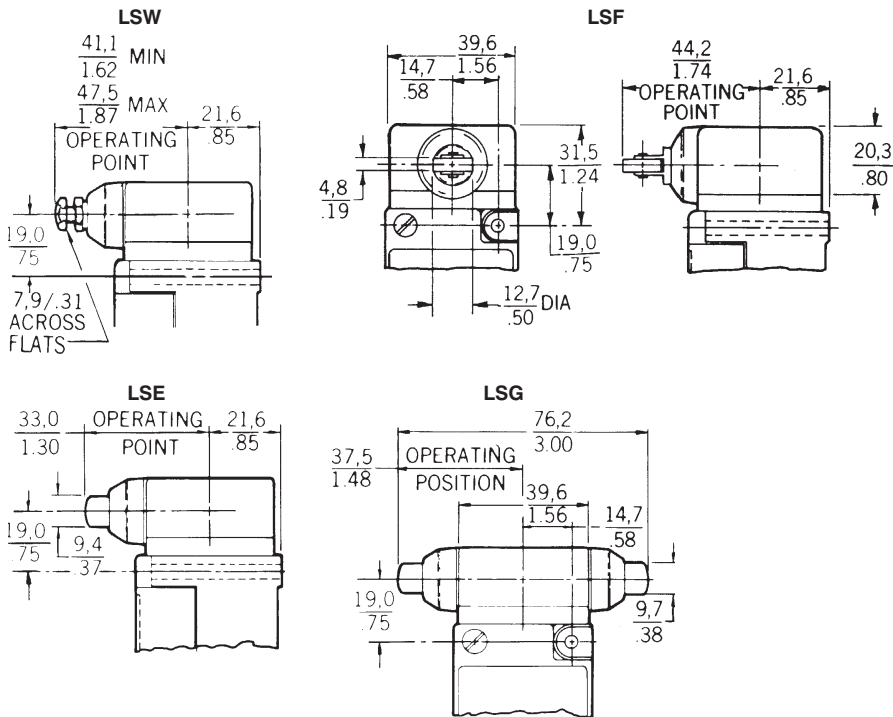
TOP PLUNGERS

Single-pole and double-pole



SIDE PLUNGERS

Single-pole and double-pole



Key: 0,0 = mm
0.00 = inches

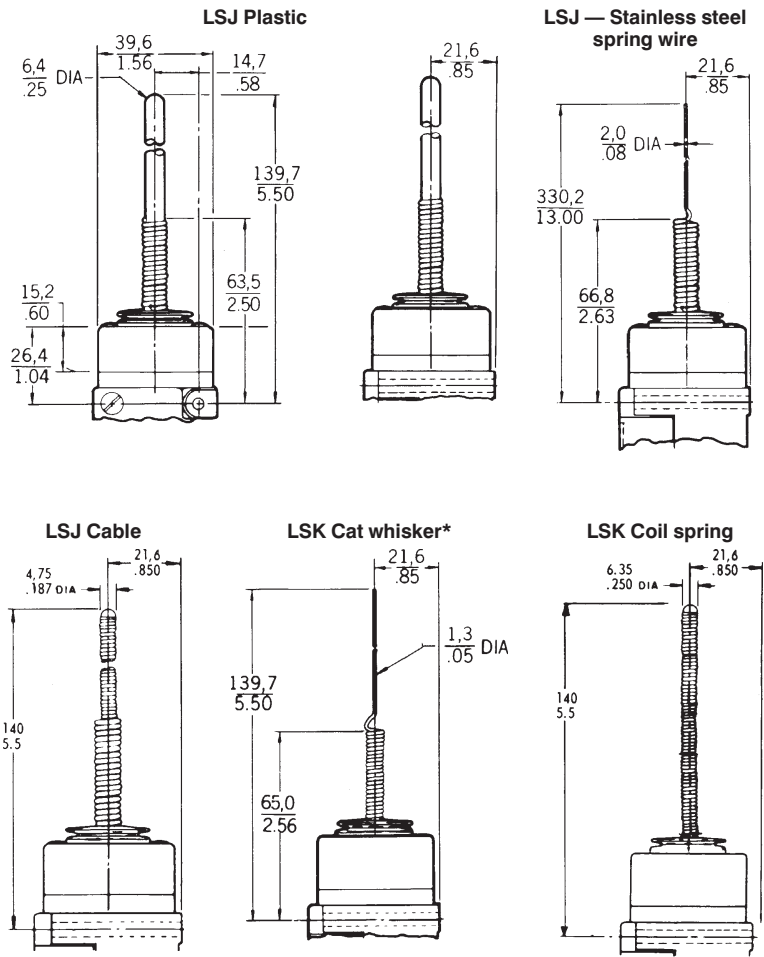
Limit/Enclosed

Limit and Enclosed Switches

HDLS Series

Mounting Dimensions (For reference only)

WOBBLE LEVERS



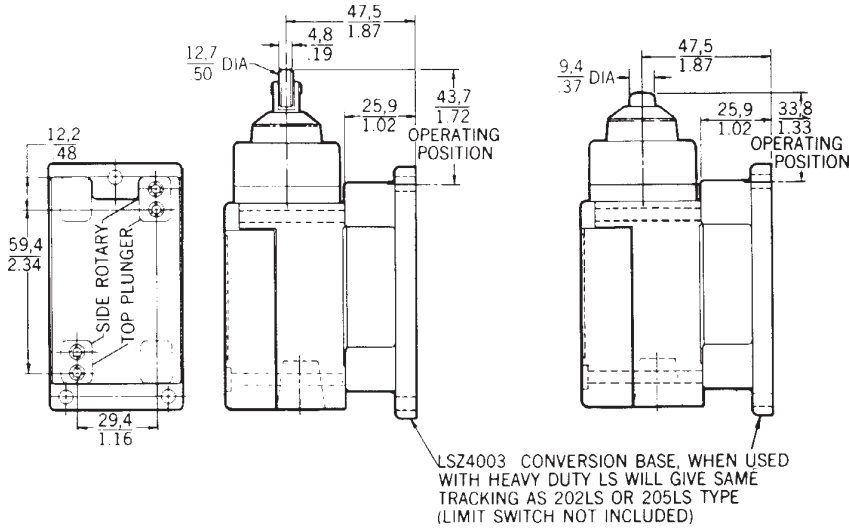
* Also available with 7½" actuator.

Key: 0,0 = mm
0.00 = inches

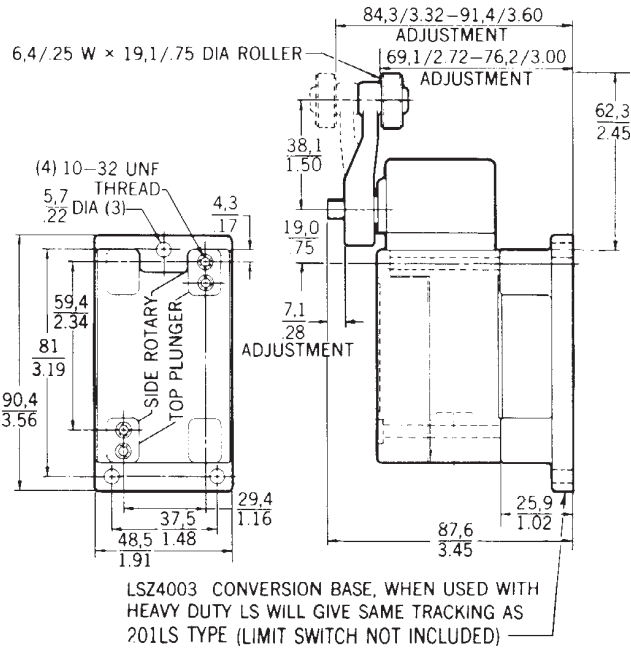
Mounting Dimensions (For reference only)

CONVERSION BASES

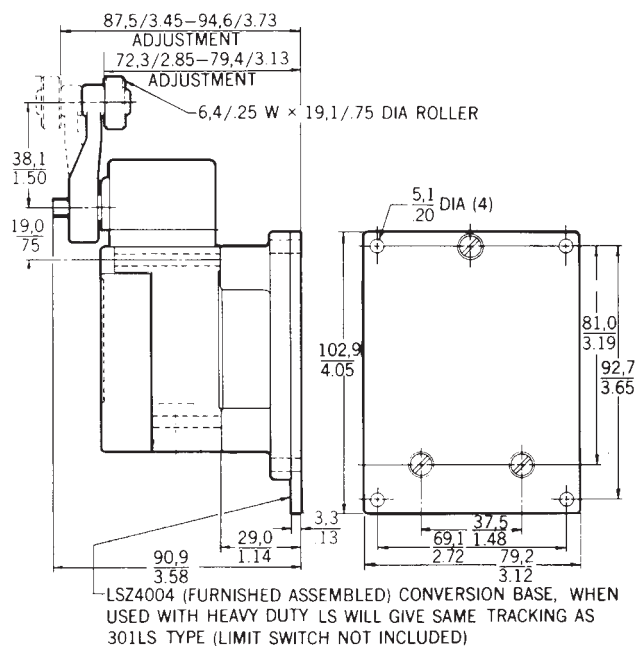
**SINGLE-POLE TOP PLUNGER
LSZ4003**



**SINGLE-POLE SIDE ROTARY
LSZ4003**



**DOUBLE-POLE SIDE ROTARY
LSZ4004**



Limit/Enclosed

LS/200LS Cross-Reference

The following cross-reference between compact LS/plug-in 200LS switches and HDLS switches applies to style, but not necessarily operating characteristics. When replacing LS/200LS with HDLS switches, the new characteristics should be considered.

essarily operating characteristics. When replacing LS/200LS with HDLS switches, the new characteristics should be considered.

The HDLS requires an adapter plate to interchange with 200LS (see page A41).

NON PLUG-IN

LS	HDLS	(Consisting Of)
1LS1	LSA3K-1D	(LSA3K + LSZ51D)
1LS1-L	LSA3K-1D	(LSA3K + LSZ51D)
1LS1-N	LSA3K-1C	(LSA3K1 + LSZ51C)
1LS1-NA	LSA3K1-1C	(LSA3K1 + LSZ51C)
1LS2	LSA3K	—
1LS3	LSA3K-2C	(LSA3K + LSZ52C)
1LS3-L	LSA3K-2C	(LSA3K + LSZ52C)
1LS5	LSR3K-1C	(LSR3K + LSZ51C)
1LS6	LSR3K-1D	(LSR3K + LSZ51D)
1LS9	LSP3K	—
1LS10	LSR3K-4M	(LSR3K + LSZ54M)
1LS10-L	LSR3K-4M	(LSR3K + LSZ54M)
1LS19	LSR3K-1D	(LSP3K + LSZ51D)
1LS23	LSR3K	—
1LS27	LSP3K5	—
1LS34	LSR3K-1C	(LSR3K + LSZ51C)
1LS47	LSH3K-4M	(LSH3K + LSZ54M)
1LS58	LSP3K-2C	(LSP3K + LSZ52C)
1LS59	LSH3K-2C	(LSH3K + LSZ52C)
1LS128	LSA3K-2K	(LSA3K + LSZ52K)
1LS131	LSH3K-1D	(LSH3K + LSZ51D)
1LS139	LSR3K-4M	(LSR3K + LSZ54M)
1LS145	LSH3K-2M	(LSH3K + LSZ52M)
1LS156	LSA3K-1C	(LSA3K + LSZ51C)
1LS165-L	LSA3K4-2C	(LSA3K4 + LSZ52C)
1LS212	LSH3K	—
1LS213	LSH3K	—
2LS1	LSC3K	—
2LS1-L	LSC3K	—
2LS7	LSC3K	—

LS	HDLS	(Consisting Of)
3LS1	LSF3K	—
3LS1-L	LSF3K	—
3LS5	LSF3K4	—
4LS1	LSE3K	—
4LS1-L	LSE3K	—
5LS1	LSD3K	—
5LS1-L	LSD3K	—
5LS6	LSD3K6	—
5LS6-L	LSD3K6	—
5LS7	LSD3K6	—
5LS8	LSD3K	—
6LS1	LSN3K-3B	(LSN3K + LSZ53B)
6LS1-L	—	—
6LS2	LSN3K	—
6LS2-L	LSN3K	—
6LS3	LSN3K-3S	(LSN3K + LSZ53S)
8LS1	LSJ3K-7N	—
8LS1-L	LSJ3K-7N	—
8LS4	LSK3K-8B	—
8LS125	LSK3K-8B	—
11LS1	LSA7L-1D	(LSA7L + LSZ51D)
11LS2	LSA7L	—
11LS3	LSA7L-2C	(LSA7L + LSZ52C)
11LS10	LSR7L-4M	(LSR7L + LSZ54M)
11LS156	LSA7L-1D	(LSA7L + LSZ51D)
12LS1	LSC7L	—
13LS1	LSF7L	—
14LS1	LSE7L	—
14LS3	LSE7L5	—
15LS1	LSD7L	—
15LS8	LSD7L	—

PLUG-IN

200LS*	HDLS	(Consisting Of)
201LS1	LSA1A-1D	(LSA1A + LSZ51D)
201LS1-N	LSA1A1-1C	(LSA1A1 + LSZ51C)
201LS2	LSA1A	—
201LS3	LSA1A-2C	(LSA1A + LSZ52C)
201LS6	LSR1A-1D	(LSR1A + LSZ51D)
201LS9	LSP1A	—
201LS10	LSR1A-4M	(LSR1A + LSZ54M)
201LS19	LSP1A-1D	(LSP1A + LSZ51D)
201LS23	LSR1A	—
201LS47	LSH1A-4M	(LSH1A + LSZ54M)
201LS143	LSA1A-2D	(LSA1A + LSZ52D)
201LS501	LSA5A-1D	(LSA5A + LSZ51D)
201LS501-A1	LSA8A-1D	(LSA8A + LSZ51D)
201LS502	LSA5A	—
201LS503	LSA5A-2C	(LSA5A + LSZ52C)
201LS503-A1	LSA8A-2C	(LSA8A + LSZ52C)
201LS510	LSR5A-4M	(LSR5A + LSZ54M)
202LS1	LSC1A	—
202LS7	LSC1A	—
202LS8	—	—

200LS/300LS*	HDLS	(Consisting Of)
203LS1	LSF1A	—
203LS501	LSF5A	—
204LS1	LSE1A	—
204LS501	LSE5A	—
205LS1	LSD1A	—
205LS7	LSD1A3	—
205LS8	LSD1A	—
205LS501	LSD5A	—
206LS1	LSN1A-3B	(LSN1A + LSZ53B)
206LS2	LSN1A	—
208LS1	LSJ1A-7N	—
208LS125	LSK1A-8B	—
208LS501	LSJ5A-7N	—
208LS525	LSK5A-8B	—
301LS1	LSM2D-1D	(LSM2D + LSZ51D)
301LS2	LSM2D	—
301LS3	LSM2D-2C	(LSM2D + LSZ52C)
301LS5	LSM2D-4N	(LSM2D + LSZ54N)
301LS8	LSA2B-1D	(LSA2B + LSZ51D)
301LS28	LSA2B	—

* Require terminal block (18PA1 for 200 series, 18PA3 for 300 series), which must be ordered separately.