

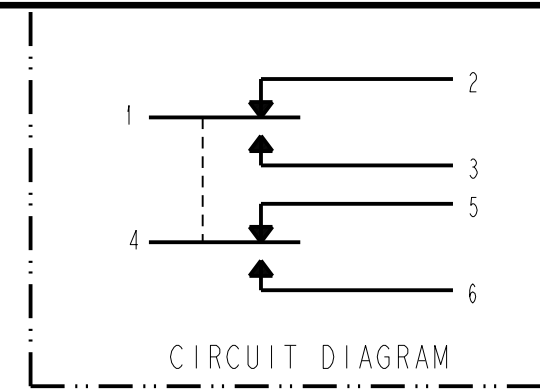
MICRO SWITCH
a Honeywell Division

FED. MFG. CODE 91929

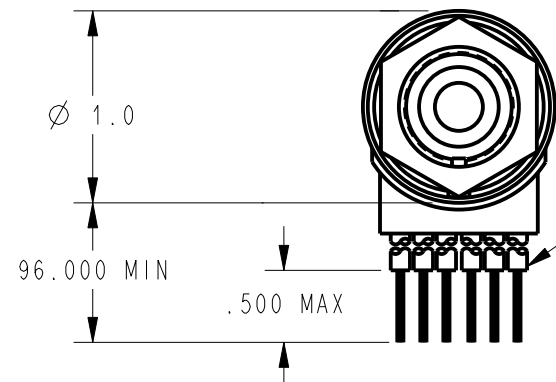
SWITCH - ENCLOSED

CATALOG LISTING

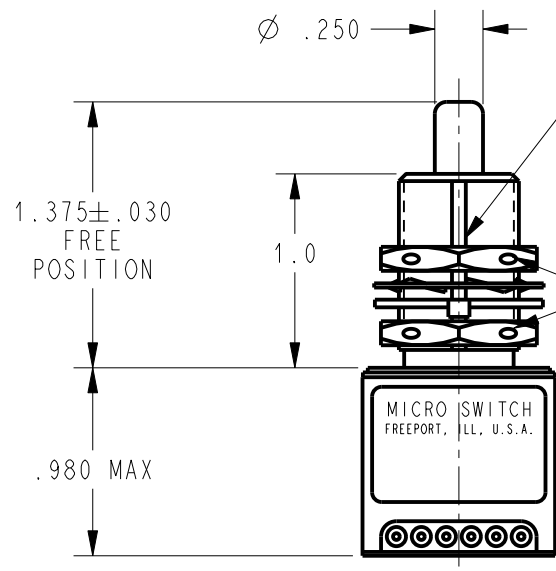
1EN1-8



PTC/CAD 2D
 DRAWN
 C S L 10 OCT 03
 CHECK
 S A V 10 OCT 03
 CHECK
 S A V 10 OCT 03
 CHECK
 REVISIONS
 A 0001545
 C S L
 10 OCT 03
 ISSUE
 21
 M
 CATALOG LISTING
 PAGE 1 OF 1
 RELEASE NO. SR-6715
 REPLACES -
1EN1-8

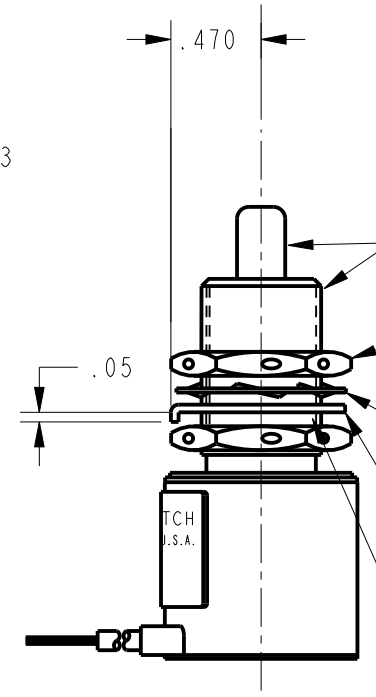


6X NO. 20 WIRE LEAD PER MIL-W-22759/7
MARKED WITH CIRCUIT IDENTIFICATION AND
WIRE GAGE (1-20, 2-20, ETC) PER MIL-W-5088



.072 ± .004 WIDE X ∇ .038 ± .003
KEYWAY TO WITHIN .250 OF
SHOULDER

3X \varnothing .047 HOLE FOR
WIRE LOCKING



CORROSION RESISTANT STEEL PLUNGER
AND BUSHING

2X CORROSION RESISTANT STEEL HEX NUT
.812 ACROSS FLATS X .125 THICK ∇ 5

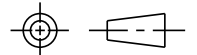
CORROSION RESISTANT STEEL INTERNAL TOOTH
LOCKWASHER, \varnothing .87 X (.022) THICK ∇ 5

CORROSION RESISTANT STEEL KEYING WASHER
 \varnothing .87 X .040 THICK, TAB .110 WIDE ∇ 5
(MS25081C6)

5/8-24 UNEF THREAD TO WITHIN .125
OF SHOULDER

THIS DRAWING COVERS A PROPRIETARY ITEM AND IS THE PROPERTY OF MICRO SWITCH, A DIVISION OF HONEYWELL. THIS DRAWING IS NOT TO BE COPIED OR USED WITHOUT THE APPROVAL OF MICRO SWITCH

THIRD ANGLE PROJECTION



CHARACTERISTICS	
OPERATING FORCE-----	6-12 LB
FULL OVERTRAVEL FORCE-----	30 LB MAX
RELEASE FORCE-----	4 LB MIN
PRETRAVEL-----	.040 MAX
DIFFERENTIAL TRAVEL-----	.020 MAX
OVERTRAVEL-----	.250 MIN

ELECTRICAL DATA		
CONTACT ARRANGEMENT 2X S P D T		
LOAD	28 VDC	
	SEA LEVEL	50,000 FT.
RES	4	4
IND	2	2
MOTOR	4	
LAMP		

SCALE FULL	
DO NOT SCALE PRINT	
UNLESS OTHERWISE SPECIFIED TOLERANCES ARE	
ONE PLACE	(.0) ± .030
TWO PLACE	(.00) ± .015
THREE PLACE	(.000) ± .005
ANGLES	±
WEIGHT	10.0 OZ MAX

- NOTES
- 1 - CORROSION RESISTANT STEEL ENCLOSURE
 - 2 - SWITCH SEALED PER MIL-PRF-8805 SYMBOL 4
 - 3 - COINCIDENCE OF OPERATING AND RELEASING POINTS: .010 OF PLUNGER TRAVEL
 - 4 - CIRCUIT DIAGRAM AND CATALOG LISTING ARE SHOWN ON NAMEPLATE
 - 5 - HARDWARE MAY BE PACKAGED UNASSEMBLED PER MIL-PRF-8805

ANSI Y14.5M-1982 APPLIES