

MICRO SWITCH

FREELPORT ILLINOIS U.S.A.
A DIVISION OF HONEYWELL

FED. MFG. CODE 91929

SWITCH-TOGGLE

CATALOG LISTING
12TW1-261

L117 5A-125 VAC



THIS DRAWING COVERS A PROPRIETARY ITEM AND IS THE PROPERTY OF MICRO SWITCH, A DIVISION OF HONEYWELL. THIS DRAWING IS NOT TO BE COPIED OR USED WITHOUT THE APPROVAL OF MICRO SWITCH.

12TW1-261

M

DRAWING NUMBER

X 2

ISSUE

3

REPLACES

RELEASE NO. PR-15409

CHECK

REVISIONS

| | | | | |
|---|---------|----|-----|----|
| A | PR | 15 | 4 | 09 |
| B | CO62939 | 24 | FEB | 88 |

CHECK

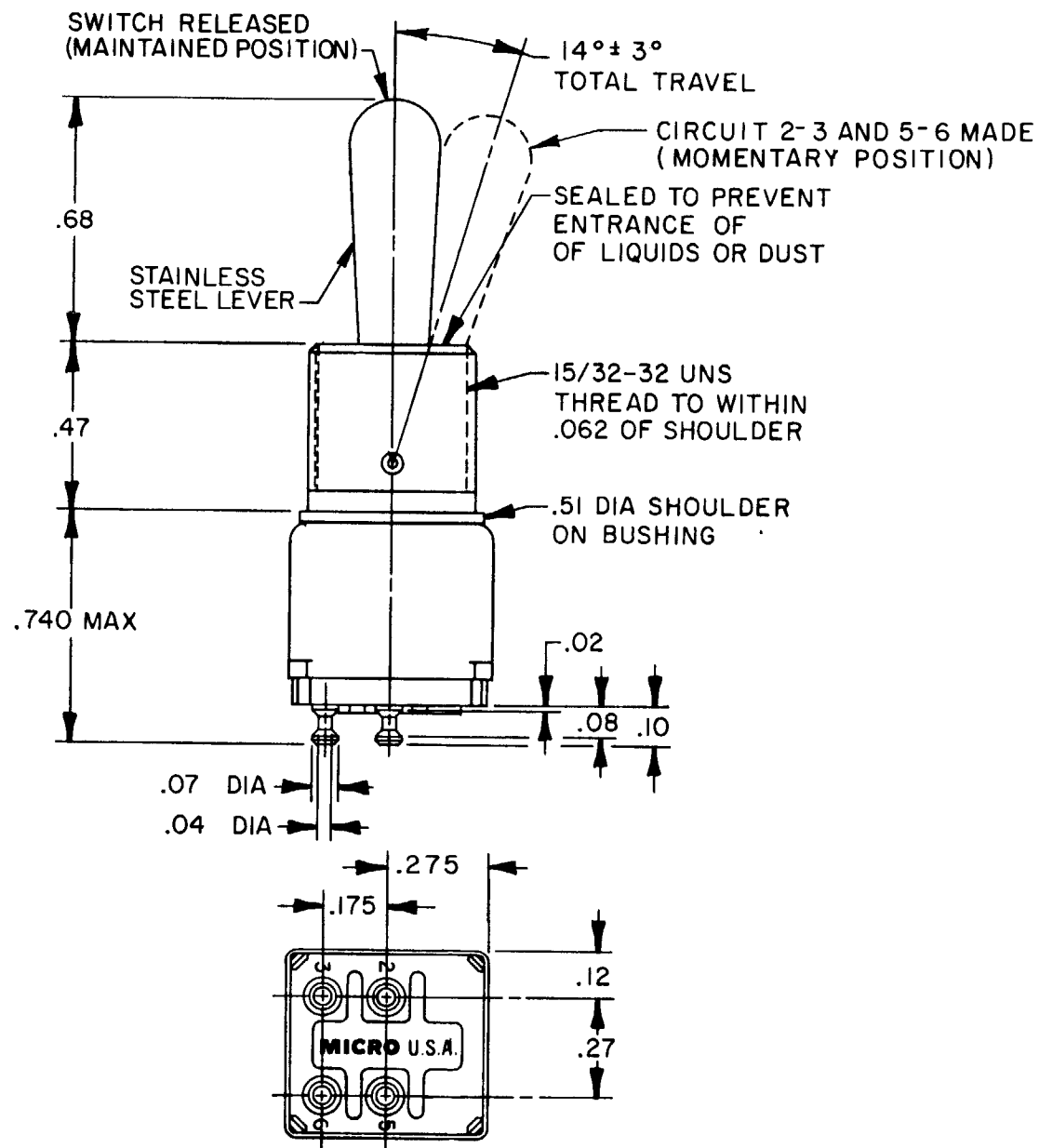
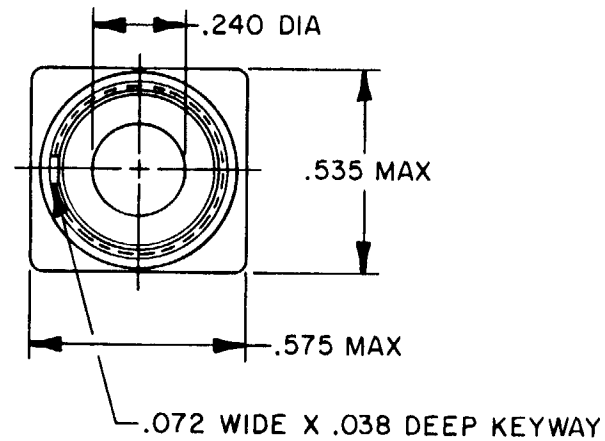
CHECK

FO-52851-A

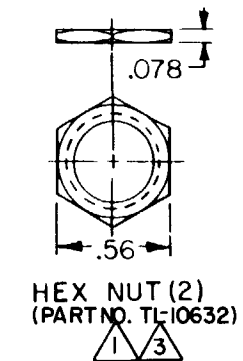
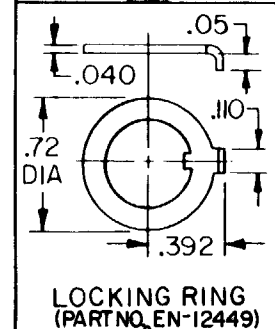
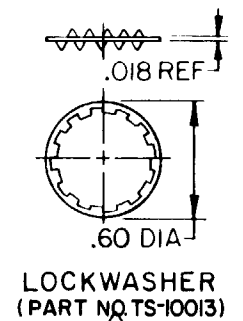
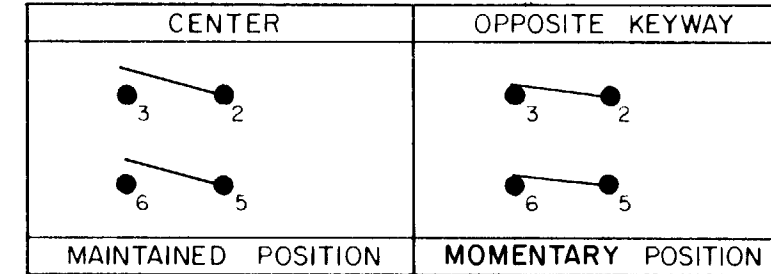
DRAWN

K A G 22 DEC 86

| | | |
|--------------------------|--------|-------|
| SCALE 2:1 | | |
| DO NOT SCALE PRINT | | |
| UNLESS OTHERWISE NOTED | | |
| DIMENSIONS ARE IN INCHES | | |
| TOLERANCES ARE: | | |
| ONE PLACE | (.0) | ±.030 |
| TWO PLACE | (.00) | ±.015 |
| THREE PLACE | (.000) | ±.005 |
| ANGLES | | ±.005 |
| WEIGHT .025 LB MAX | | |



CIRCUIT MADE WITH TOGGLE LEVER IN



- NOTES
- 1 FURNISHED UNASSEMBLED
 - 2 - TERMINALS ARE PLATED FOR SOLDERING
 - 3 MATTE FINISH

