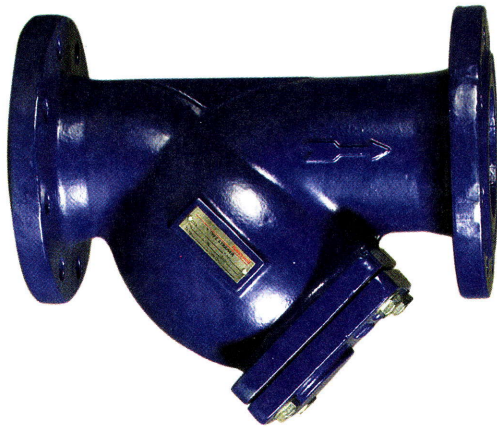


YS-SF5 Series

Y - Strainer PRODUCT DATA



GENERAL

Honeywell Y-type strainer is widely used in water application and is used for protecting valve and other equipments from scrap and impurities in the system.

FEATURES

- Ductile iron body with epoxy coating
- Stainless Steel Filter Stem

SPECIFICATIONS

Nominal Pressure Rating : PN16 , PN10

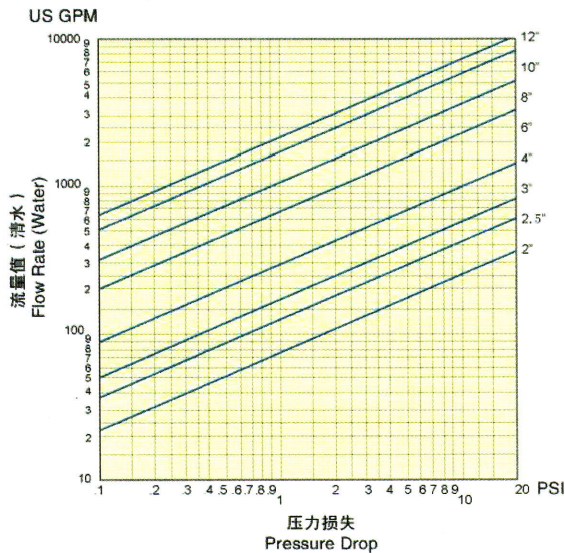
Size Range: DN50 to DN600

Medium: Chilled and hot water
50% glycol solution

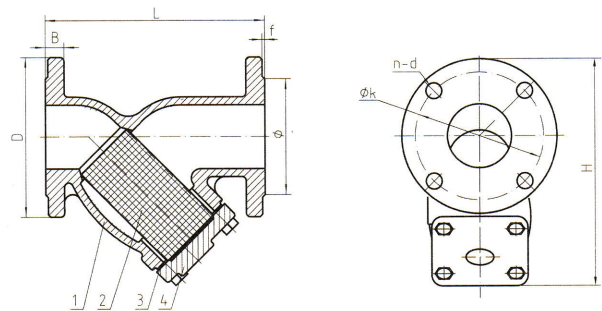
Medium temperature : -10°C to 120 °C

End Connection : Flanged (ISO7005-2)

PRESSURE LOSS CURVE



No.	Description	Material
1	Body	QT450-10
2	Bonnet	QT450-10
3	Gasket	EPDM
4	Filter Screen	SS304



DIMENSIONS in (mm)

Type	c	c k	H	L	B	D	N-d		F	Filter screen
							PN10	PN16		
DN50	99	125	216	230	20	165	4-19	4-19	3	100- c 1.5 hole/in2
DN65	118	145	247	290	20	185	4-19	4-19	3	100- c 1.5 hole/in2
DN80	132	160	276	310	22	200	8-19	8-19	3	100- c 1.5 hole/in2
DN100	156	180	314	350	24	220	8-19	8-19	3	100- c 1.5 hole/in2
DN125	184	210	392	400	26	250	8-19	8-19	3	100- c 1.5 hole/in2
DN150	211	240	453	480	26	285	8-23	8-23	3	30- c 3.2 hole/in2
DN200	266	295	575	600	26	340	12-23	12-23	3	30- c 3.2 hole/in2
DN250	319	350	653	730	28	395	12-23	12-28	3	25- c 5 hole/in2
DN300	370	400	739	850	28	445	12-23	12-28	4	25- c 5 hole/in2
DN350	429	460	851	980	30	505	16-23	16-28	4	25- c 5 hole/in2
DN400	480	515	1128	1100	32	565	16-28	16-31	4	25- c 5 hole/in2
DN450	530	565	1146	1200	32	615	20-28	20-31	4	25- c 5 hole/in2
DN500	582	620	1234	1250	34	670	20-28	20-34	4	25- c 5 hole/in2
DN600	682	725	1468	1450	36	780	20-31	20-37	5	25- c 5 hole/in2

ORDER INFORMATION

Size DN	OS#		Weight(Kg)
	PN16	PN10	
DN50	YS-SF5-PN16-0050	YS-SF5-PN10-0050	12
DN65	YS-SF5-PN16-0065	YS-SF5-PN10-0065	13
DN80	YS-SF5-PN16-0080	YS-SF5-PN10-0080	17
DN100	YS-SF5-PN16-0100	YS-SF5-PN10-0100	24
DN125	YS-SF5-PN16-0125	YS-SF5-PN10-0125	42
DN150	YS-SF5-PN16-0150	YS-SF5-PN10-0150	52
DN200	YS-SF5-PN16-0200	YS-SF5-PN10-0200	100
DN250	YS-SF5-PN16-0250	YS-SF5-PN10-0250	156
DN300	YS-SF5-PN16-0300	YS-SF5-PN10-0300	204
DN350	YS-SF5-PN16-0350	YS-SF5-PN10-0350	423
DN400	YS-SF5-PN16-0400	YS-SF5-PN10-0400	641
DN450	YS-SF5-PN16-0450	YS-SF5-PN10-0450	777
DN500	YS-SF5-PN16-0500	YS-SF5-PN10-0500	915
DN600	YS-SF5-PN16-0600	YS-SF5-PN10-0600	1347

More OS# please refers to product selection chart.

SELECTION CHART

