

VBA16F SERIES TWO-WAY CONTROL BALL VALVE

- Equal percentage flow characteristic
- Low leakage rate
- Low driving torque
- Stainless steel ball and stem
- V-shaped ball
- High flow capacity

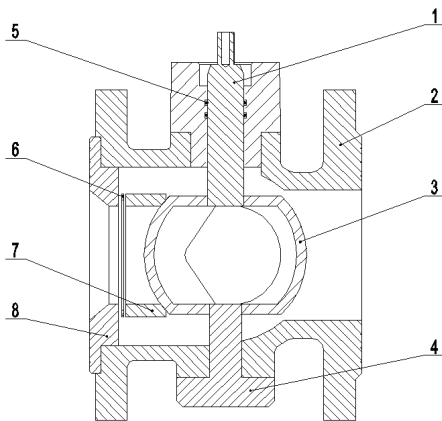


Technical Specification

Size	DN65-DN150
Nominal pressure	PN16
Flow characteristics	Equal percentage
Rangeability	50:1
Leakage rate	0.01% of Kvs
Flange connection	ISO7005-2
Medium	Water or neutral Liquid
Medium temperature	5°C-120°C

KVs and close-off pressure

Size (mm)	Model	Flow coefficient Kvs(m ³ /h)	Close-off pressure (KPa)	Actuator torque (N•m)
65	VBA16F065	68	700	20(MVN..20)
80	VBA16F080	100	700	20(MVN..20)
100	VBA16F100	160	700	34(MVN..34)
125	VBA16F125	250	700	34(MVN..34)
150	VBA16F150	360	400	34(MVN..34)



MATERIAL LIST

NO.	DESCRIPTION	MATERIAL
1	Stem	Stainless Steel
2	Valve body	Ductile iron QT450-10
3	Ball	Stainless Steel
4	Bottom cover	Carbon steel
5	O-ring	FPM
6	Spring	Stainless Steel
7	Seat	PTFE
8	Gland nut	Ductile iron QT450-10

For more information,

www.partnerconnect.honeywell.com

Call: 1-800-103-0339

Email: HoneywellSecurity&Fire@honeywell.com

Honeywell HBT India Buildings

Unitech Trade Center, 5th Floor, Sector-43,
Block C, Sushant Lok Phase - I,
Gurgaon - 122 002

www.honeywell.com

© 2019 Honeywell International Inc.

**VBA16F SERIES
TWO-WAY CONTROL
BALL VALVE**

Honeywell