

# BSV4-CWD SERIES DUAL PLATE CHECK VALVE NON RETURN VALVE

- Wide Size range (DN50...DN300)
- Cast iron Body
- Lapped Ductile Iron disc
- Wafer type and flange type Connection



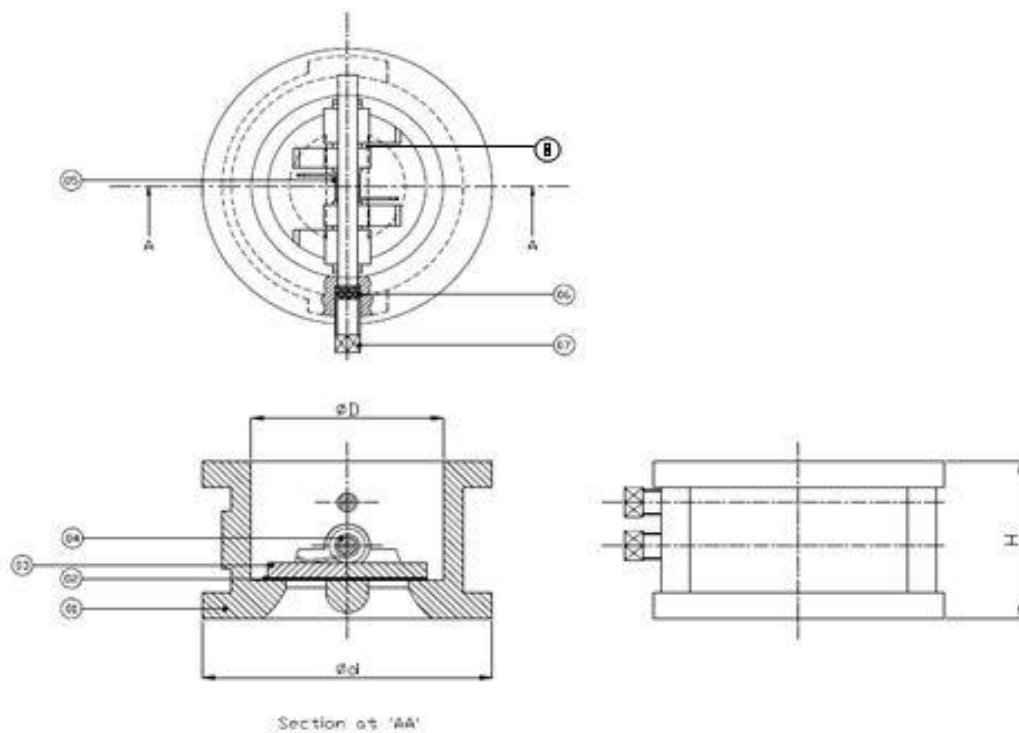
## SYSTEM OVERVIEW

The BSV4-CWD Dual Plate Check Valves is designed for Chilled & Hot Water for purpose non-return valve that is stronger, lighter in weight and smaller in size as compared to other Check valve.

### Technical Specification

Sizes	DN50-DN300
Nominal pressure	PN16
Medium Temperature	-10°C- +110°C Maximum
Body Material	IS:210, C.I - UPTO DN250 D.I - DN300
Shaft Material	ASTM A276,GR SS 410
Plate Material	Lapped Ductile Iron Disc
Seal	EPDM
Medium Type	Water
Flange standard	ISO7005-1(GB/T9113)/ IS:1538
Shell Test pressure	24bar
Seal Test pressure	17bar

## DIMENSIONS (mm)



## MATERIAL LIST

PT No.	PART NAME	MATERIAL
01	BODY	IS:210,Gr. FG200
02	SEAT	EPDM
03	PLATES	D.I (LAPPED)
04	SHAFT	ASTM A276, GR. SS410
05	SPRING	AISI 302
06	O-RINGS	NITRILE / EPDM
07	PLUG	M.S. (CROME PLATED)
08	FASTENERS	STAINLESS STEEL

## DIMENSIONS (mm)

Size	50	65	80	100	125	150	200	250	300
$\phi D$	62.5	74	91	116	145	169.5	220	273	324
$\phi d$	95	110	130	160	188	212	280	340	410
H	54	54	57	64	70	76	95	108	143

## Model Table

Size	Model Number	Description
DN50	BSV4-CWD-GP16-G050	BS Check Valve CI Body DI Seat 2" Wafer – Dual Plate check valve (Non return Valve)
DN65	BSV4-CWD-GP16-G065	BS Check Valve CI Body DI Seat 2 1/2" Wafer – Dual Plate check valve (Non return Valve)
DN80	BSV4-CWD-GP16-G080	BS Check Valve CI Body DI Seat 3" Wafer – Dual Plate check valve (Non return Valve)
DN100	BSV4-CWD-GP16-G100	BS Check Valve CI Body DI Seat 4" Wafer – Dual Plate check valve (Non return Valve)
DN125	BSV4-CWD-GP16-G125	BS Check Valve CI Body DI Seat 5" Wafer – Dual Plate check valve (Non return Valve)
DN150	BSV4-CWD-GP16-G150	BS Check Valve CI Body DI Seat 6" Wafer – Dual Plate check valve (Non return Valve)
DN200	BSV4-CWD-GP16-G200	BS Check Valve CI Body DI Seat 8" Wafer – Dual Plate check valve (Non return Valve)
DN250	BSV4-CWD-GP16-G250	BS Check Valve CI Body DI Seat 10" Wafer – Dual Plate check valve (Non return Valve)
DN300	BSV4-CWD-GP16-G300	BS Check Valve CI Body DI Seat 12" Wafer – Dual Plate check valve (Non return Valve)

Note: valve sizes up to DN600 are also available. Please contact local sales for details.

### For more information!

<https://honeywellbuildings.in>

Call: 1-800-103-0339

Email: [HBT-Indiabuildings@honeywell.com](mailto:HBT-Indiabuildings@honeywell.com)

### Honeywell HBT India Buildings

Unitech Trade Center, 5th Floor, Sector-43,  
Block C, Sushant Lok Phase - I,  
Gurgaon - 122 002

[www.honeywell.com](http://www.honeywell.com)

© 2020 Honeywell International Inc.

**BSV4-CWD SERIES**  
**DUAL PLATE CHECK**  
**VALVE NON RETURN VALVE**

**Honeywell**