

HAZARDOUS AREA LIMIT SWITCHES

BXIND SERIES

Made in India

BXIND- Rugged. Reliable. Ready for use.

Reduce operational and maintenance costs with Honeywell's hazardous area limit switches.
Reliable and robust

DESCRIPTION

The BXIND is ideal for outdoor use or in adverse environments where a combination of explosion proof plus sealing requirements are needed. To comply with explosion-proof requirements the BXIND has flame paths within the housing, which cool exploding gases below the ignition temperature before they reach explosive gases surrounding the housing. Flame paths on the BXIND are (1) an extended plunger between the switch cavity and head and (2) the cover-housing threads on the front of the switch. These products are weather sealed for outdoor use and designed for explosive gas/dust environments. They may be interchanged with HDLS products by using an adapter plate. All heads are field adjustable at 90° increments. Side rotary BXIND products can be adjusted for clockwise and counter-clockwise actuation. Honeywell explosion-proof switches are designed specifically for use in hazardous location applications. The BXIND enclosure is sealed for protection against corrosion, water, dust, and oil as defined in NEMA 1, 3, 4, 6, 7, 9 and 13 and IP67 as defined in IEC60529.

FEATURES

ATEX

Sealing - applicable portions of IP67 and NEMA 1, 3, 4, 6, 7, 9, and 13

Diverse conduit selection for wide range of applications

Compatible with LSX

Tracking interchangeability with MICRO SWITCH ML-E1 and HDLS

Variety of heads and non-sparking actuators

10 A continuous carry electrical rating

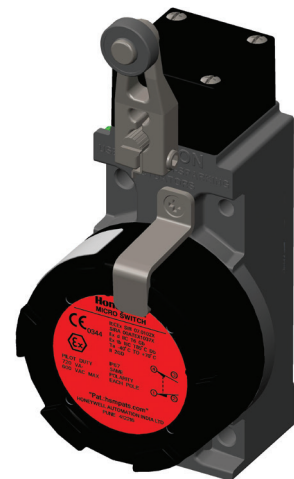
Choice of silver or gold contacts

Internal grounding screw

Fluorocarbon and low-temperature sealing


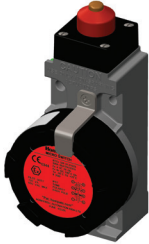

TYPICAL APPLICATIONS

- Control valves and actuators
- Offshore drilling
- Grain elevators
- Petrochemical plants
- Chemical plants
- Waste treatment
- Paint booths
- Mining conveyors
- Pulp and paper coating
- Hazardous waste handling



Rugged. Reliable. Ready for use.

SELECTION GUIDE

FEATURES	BXINDA3K*	BXINDC4L	BXINDC3K
			
ACTUATOR LEVER	"Lever Not Included - Reference Lever Required Accessory"	N/A	N/A
TERMINATION TYPE	1/2" - 14 NPT Conduit	3/4"-14 NPT Conduit	1/2" - 14 NPT Conduit
CIRCUITRY	1NC 1NO Single-Pole Double-Throw, Snap-Action, Double-Break	2NO 2NC Double Pole Double Throw. Snap Action, Double Break	1NC 1NO Single-Pole Double-Throw, Snap-Action, Double-Break
APPROVALS	ATEX Certified, CE Certified	ATEX Certified, CE Certified	ATEX Certified, CE Certified
ACTUATOR	Side Rotary	Top Plunger	Top Plunger
PRETRAVEL (P.T.) MAX.	15°	1.79 mm [0.070 in]	1.79 mm [0.070 in]
OVERTRAVEL (O.T) MIN.	60°	4.83 mm [0.190 in]	4,83 mm [0.190 in]
DIFFERENTIAL TRAVEL (D.T.) MAX.	5°	0.51 mm [0.020 in]	0.38 mm [0.015 in]
OPERATING POSITION (O.P.)	-	-	58.5 mm ± 0.76 mm [2.305 in ± 0.030 in]
SEALING	IP67, NEMA 1,3,4,6,13	IP67, NEMA 1,3,4,6,13	IP67, NEMA 1,3,4,6,13
PRODUCT TYPE	Weather-Sealed, Explosion-Proof Limit Switches/European Approvals		
AMPERE RATING	10 A (Thermal)		
SUPPLY VOLTAGE	600 Vac and 250 Vdc Maximum		
OPERATING TEMPERATURE RANGE	-40 °C to 70 °C [-40 °F to 158 °F]		
HOUSING MATERIAL	Aluminum Die-Cast		
HOUSING TYPE	BXIND Non Plug-in		
SEALED	Explosion-proof		
OPERATING FORCE (O.F.)	0,45 N max. [4 in lb max.]		
AVAILABILITY	India		
AGENCY APPROVALS AND STANDARDS	II 2 GD, Ex d IIC T6 Gb, Ex tb IIIC T85° Db, SIRA 00ATEX 1037X		
SERIES NAME	BXIND Series		

*Listing no. of BXINDA3K with Standard fixed Lever (LSZ51A) assembled: BXINDA3K-1A

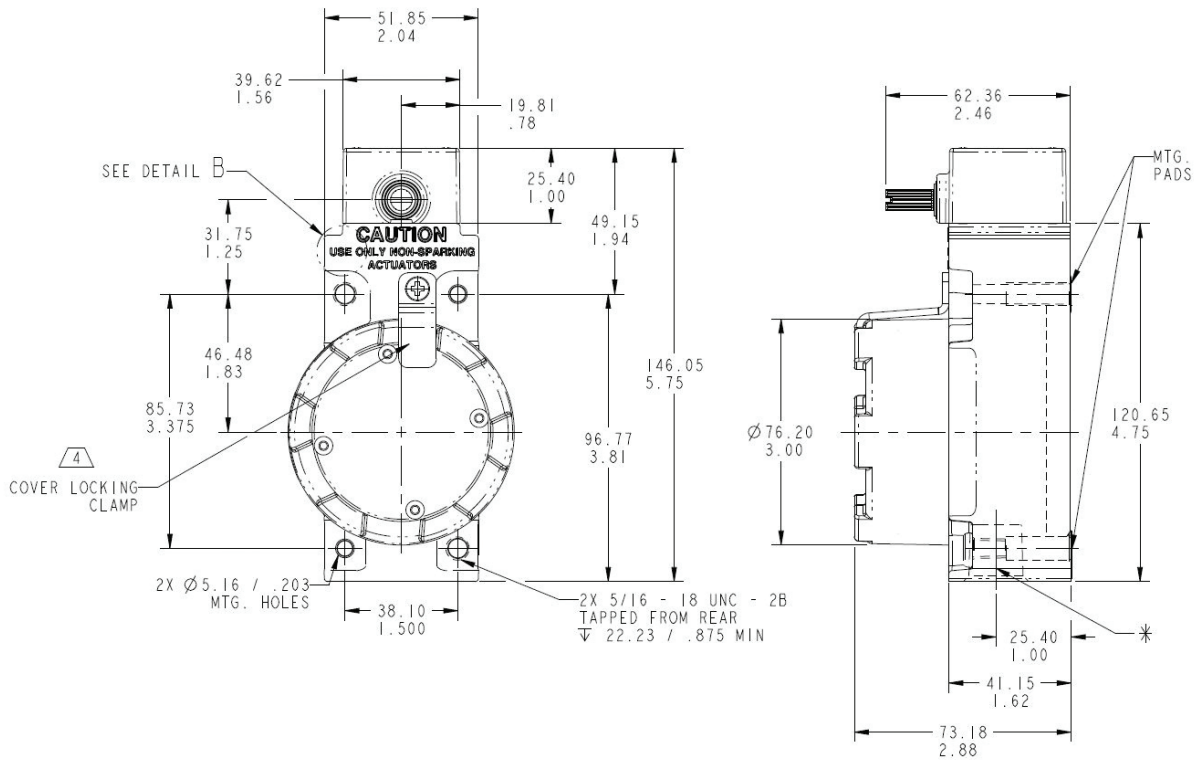
Listing no. of BXINDA3K with Adjustable Lever (LSZ52C) assembled: BXINDA3K-2C

FEATURES	BXINDD3K	BXINDA4L*	BXINDD4L
			
ACTUATOR	N/A	Lever Not Included - Reference Lever Required Accessory	N/A
TERMINATION TYPE	1/2" - 14 NPT Conduit	3/4" - 14 NPT Conduit	3/4" - 14 NPT Conduit
CIRCUITRY	1NC 1NO Single-Pole Double-Throw, Snap- Action, Double-Break	2NO 2NC Double Pole Double Throw. Snap Action, Double Break	2NC 2NO Double-Pole Double-Throw, Snap- Action, Double-Break
APPROVALS	ATEX Certified, CE Certified	ATEX Certified, CE Certified	ATEX Certified, CE Certified
ACTUATOR	Top Roller Plunger	Side Rotary	Top Roller Plunger
PRETRAVEL (P.T.) MAX.	1,78 mm [0.070 in]	15°	1.79 mm [0.070 in]
OVERTRAVEL (O.T) MIN.	4,83 mm [0.190 in]	60°	4,83 mm [0.190 in]
DIFFERENTIAL TRAVEL (D.T.) MAX.	0.38 mm [0.015 in]	7°	0.51 mm [0.020 in]
OPERATING POSITION (O.P.)	68.6 mm ± 1 mm [2.700 in ± 0.040 in]	-	-
SEALING	IP67, NEMA 1, 3, 4, 6, 13	IP67, NEMA 1, 3, 4, 6, 13	IP67, NEMA 1, 3, 4, 6, 13
PRODUCT TYPE	Weather-Sealed, Explosion-Proof Limit Switches/European Approvals		
AMPERE RATING	10 A (Thermal)		
SUPPLY VOLTAGE	600 Vac and 250 Vdc Maximum		
OPERATING TEMPERATURE RANGE	-40 °C to 70 °C [-40 °F to 158 °F]		
HOUSING MATERIAL	Aluminum Die-Cast		
HOUSING TYPE	BXIND Non Plug-in		
SEALED	Explosion-proof		
OPERATING FORCE (O.F.)	0,45 N max. [4 in lb max.]		
AVAILABILITY	India		
AGENCY APPROVALS AND STANDARDS	II 2 GD, Ex d IIC T6 Gb, Ex tb IIIC T85° Db, SIRA 00ATEX 1037X		
SERIES NAME	BXIND Series		

*Listing no. of BXINDA4L with Standard fixed Lever (LSZ51A) assembled: BXINDA4L-1A

Listing no. of BXINDA4L with Adjustable Lever (LSZ52C) assembled: BXINDA4L-2C


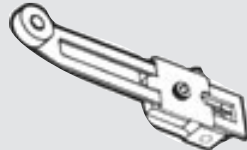
MOUNTING DIMENSIONS (For reference only) mm/in

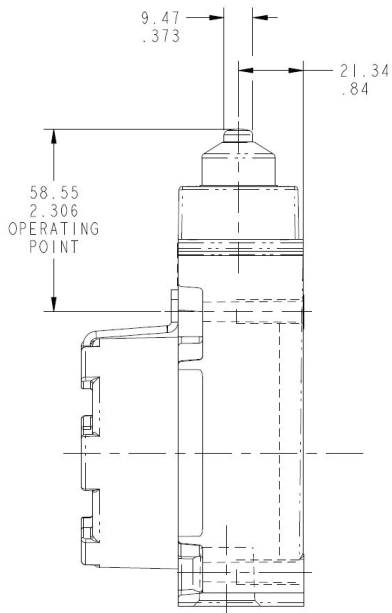


Conduit sizes 1/2-14NPT, 3/4-14NPT are available for each switch type.

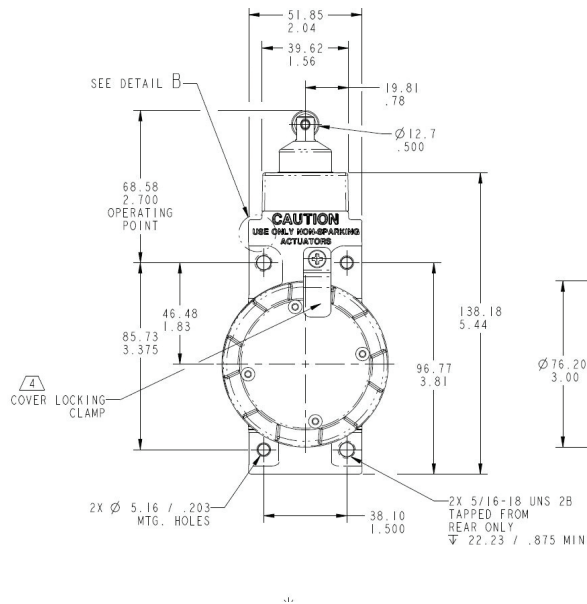
Verify that the mating threaded fitting is identical with the conduit thread shown on the product nameplate

LEVERS - REQUIRED ACCESSORIES

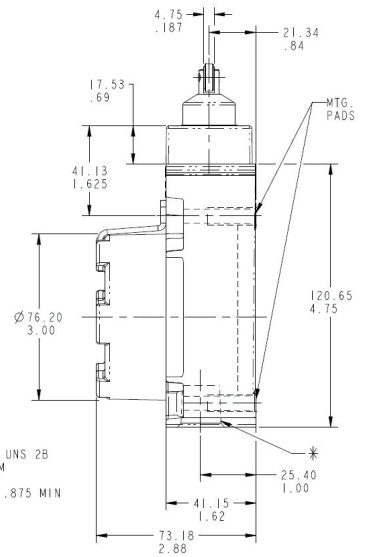
FEATURES	LSZ51A	LSZ52C
		
LEVER STYLE	Roller - Standard	Roller - Adjustable
COMMENT	"Roller - Standard; Material: Nylon; Roller Mounted On Front Of Lever"	Roller - Adjustable; Material: Nylon; Roller Mounted On Front Of Lever
RADIUS	38.1 mm [1.5 in]	38.1 mm to 93.5 mm [1.5 in to 3.5 in]
DIAMETER	19.05 mm [0.75 in]	19.05 mm [0.75 in]
WIDTH	6.35 mm [0.25 in]	6.35 mm [0.25 in]
PRODUCT TYPE	Lever	
AVAILABILITY	India	



BXC



BXD



Authorized Dealer

For more information

www.honeywellaidc.com

Honeywell Automation India Ltd (SIOT)

DTA Unit, Block B
 Plot No. 3, Gat No. 181,
 Village Fulgaon, Tal-Haveli,
 Pune - 412216,
 Maharashtra, India.
www.honeywell.com

BX-SB | Rev01 | 12/16
 © 2016 Honeywell International Inc.

