

WFS-6000 WATER FLOW SWITCH

PRODUCT SPECIFICATION SHEET

APPLICATION

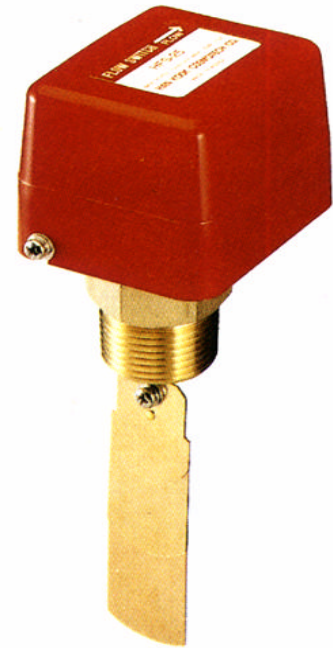
The paddle type SPDT WFS series are designed to provide excellent performance where accuracy, reliability, and rugged construction are required used in liquid flow lines carrying water or any fluid neither harmful to brass and phosphor bronze nor classified as a hazardous fluids.

They can be wired to close one circuit and open a second circuit when liquid flow either exceeds or drops below the adjusted flow rate. The WFS series are recommended for liquid pressure and temperature as mentioned below and must not be used on lines carrying liquids below 0 °C.

These series may be used on liquids with high salt or chlorine content but is not for use in hazardous atmospheres. They may be also used outdoors but must be protected from weather or splashing water. All series WFS flow switches are designed for use only as operating controls.

Where an operating control failure would result in personal injury and/or loss of property, it is the responsibility of user to add safety devices that protect against, or supervisory systems that warn of control failure.

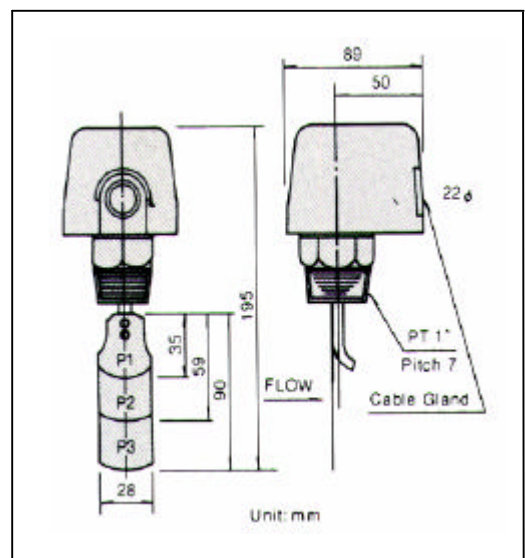
MODEL : WFS-6000



SPECIFICATIONS

Operating Pressure	10kgf/cm ² (1000KPa)
Withstand Pressure	17.5Kgf/cm ² (91750KPa)
Insulation Resistance	Over 100 ohm , DC500VM
Withstand Voltage	AC1500V/1minute
Contact Point Life	1000K Cycle
Bellows Life	500K Cycle
Temperature of Fluid	Max 100°C (212°F)

DIMENSIONS



ELECTRICAL RATINGS

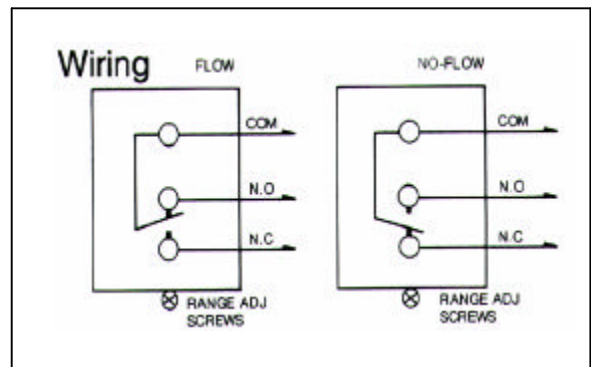
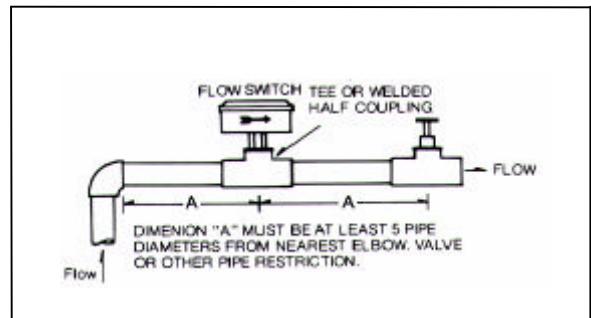
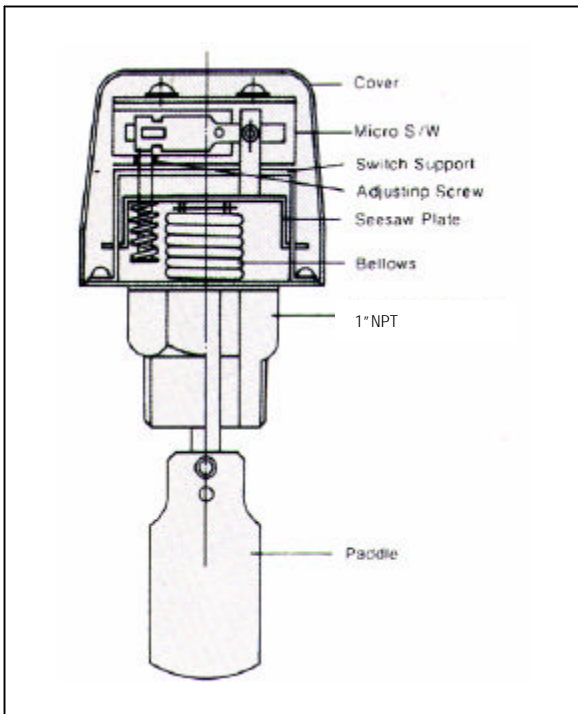
Type	Voltage	Resistance Load	Lamp Load	Motor Load
AC (Standard)	AC 125 V	5A	44A	5A
	AC 250 V	2.5A	22A	2.5A
DC	DC 115 V	0.3A		
	DC 230 V	0.15A		

FLOW CONTROL RANGE TABLE

CLASSIFICATION		FLOW CONTROL RANGE		LPM (GPM)	
Pipe Diameter (inch)	Paddle	Minimum		Maximum	
		On-Flow	Off-Flow	On-Flow	Off-Flow
1	1	15 (4.0)	8 (2.0)	45 (12.0)	41 (11.0)
1-1/4		26 (6.9)	13 (3.4)	75 (20.0)	68 (18.0)
1-1/2		29 (7.0)	20 (5.3)	105 (28.0)	94 (25.0)
2	2	34 (9.0)	17 (4.5)	120 (32.0)	105 (28.0)
2-1/2		60 (16.0)	34 (9.0)	210 (55.0)	188 (50.0)
3	3	68 (18.0)	30 (8.0)	288 (76.0)	275 (73.0)
4		128 (34.0)	64 (17.0)	412 (109.0)	360 (95.0)
5		225 (59.0)	113 (30.0)	750 (198.0)	652 (172.0)
6		345 (91.0)	172 (45.0)	1125 (297.0)	975 (258.0)

This table illustrates the flow control range obtained from experimental data. A variation of up to 10% can be expected, depending on operating conditions. Final adjustments should be made on site using a flow meter.

TYPICAL INSTALLATION



Honeywell

Environmental & Combustion Controls
Honeywell Automation India Limited
 56 & 57, Hadapsar Industrial Estate,
 Pune - 411 013, India.
 Phone: (91) 20 6603 9400
 Fax: (91) 20 6603 9979

www.honeywellautomationindia.com

Subject to change without notice.
 Printed in India.

APHIWFS001-06-10